

310702.1

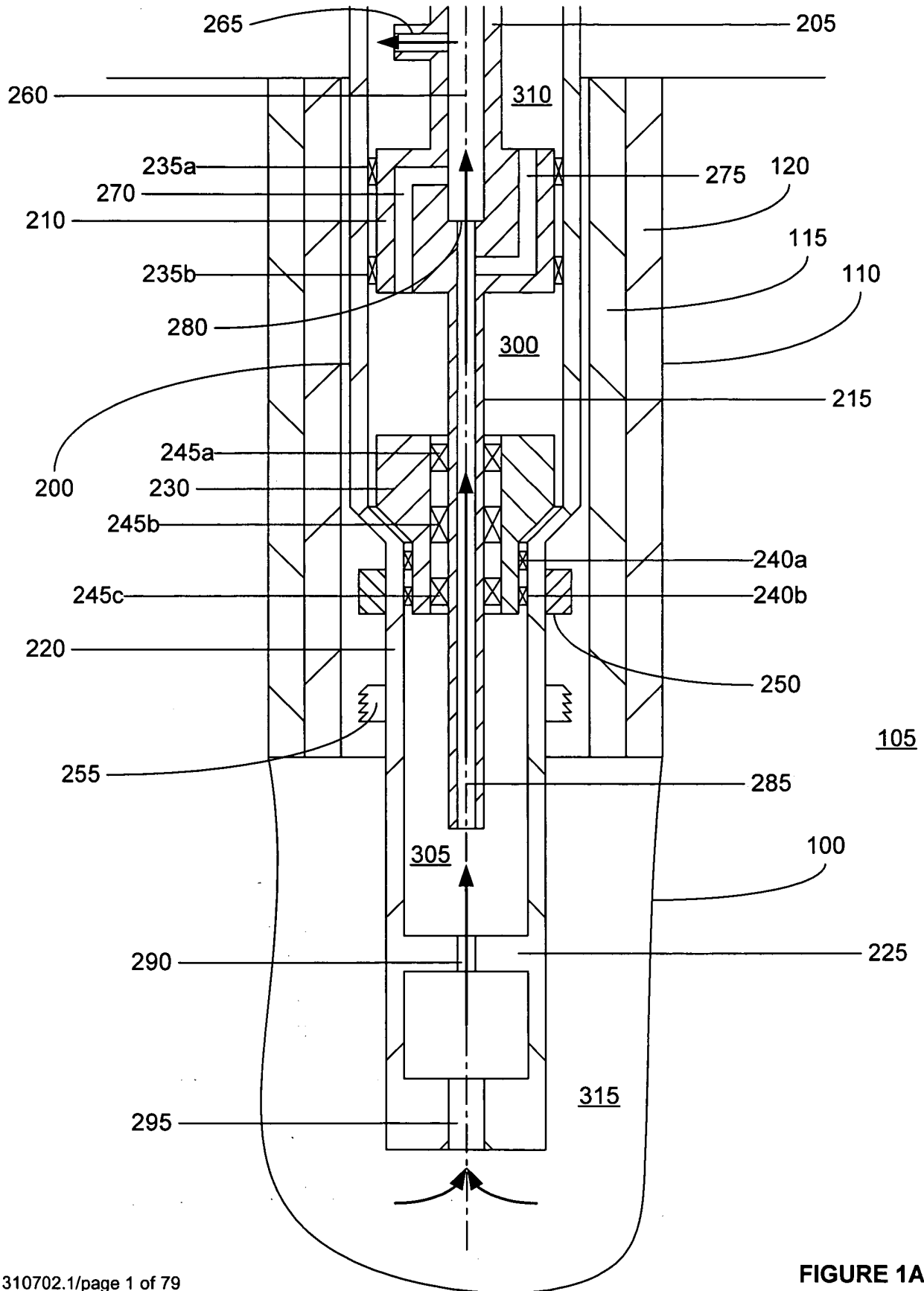


FIGURE 1A

310704.1/FIGURE 1B

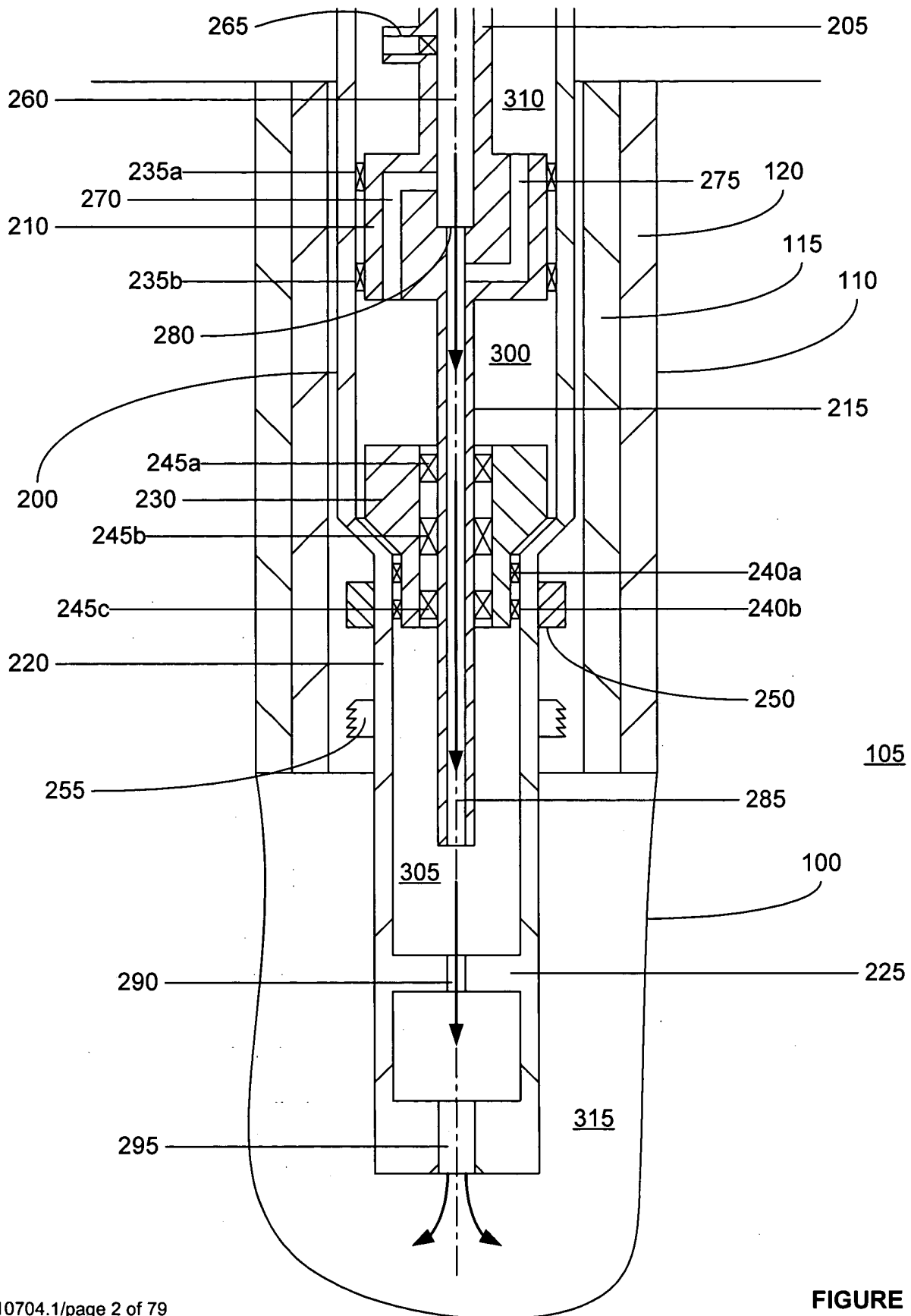


FIGURE 1B

310705.1/FIGURE 1C

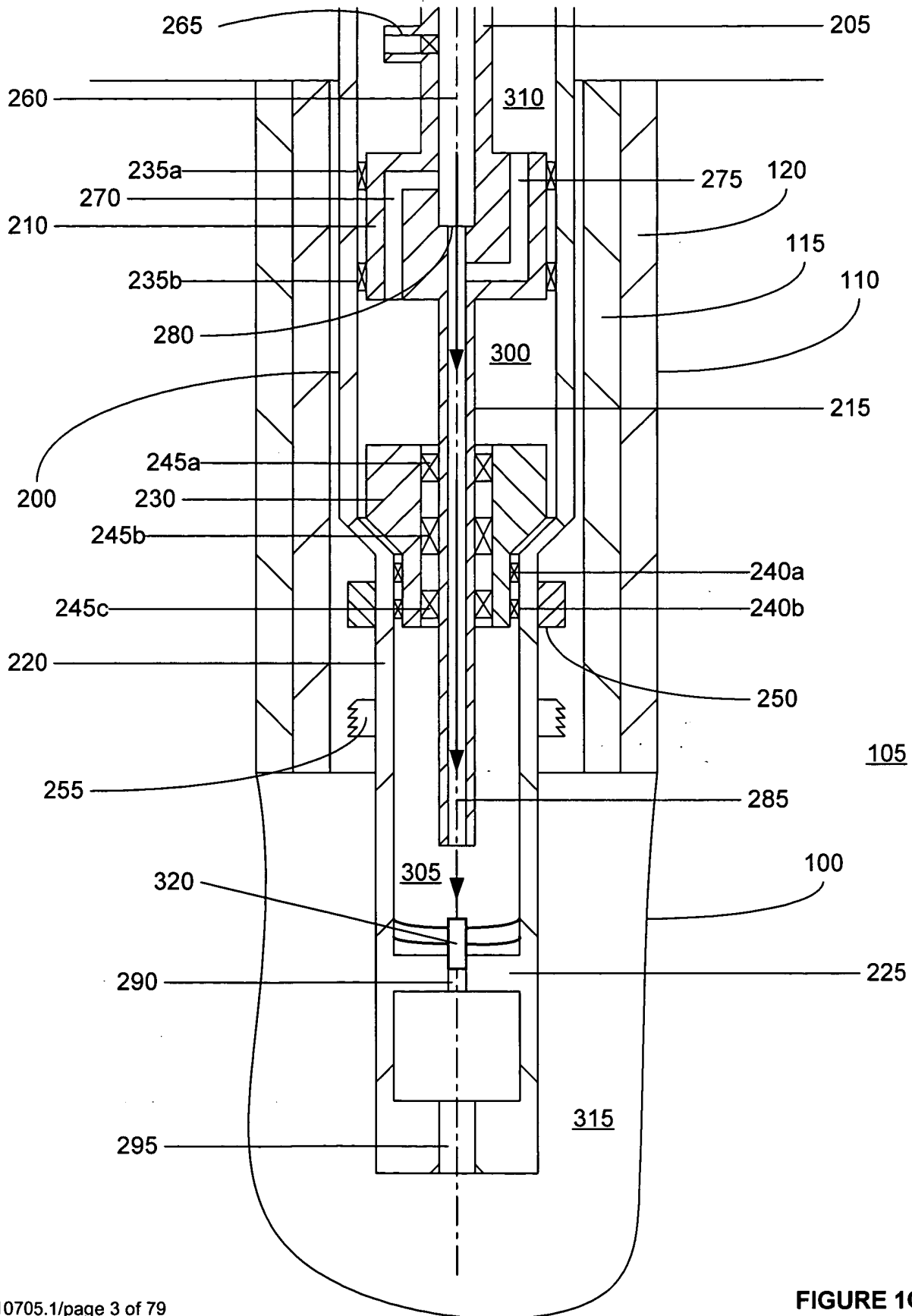


FIGURE 1C

310711.1/page 4 of 79

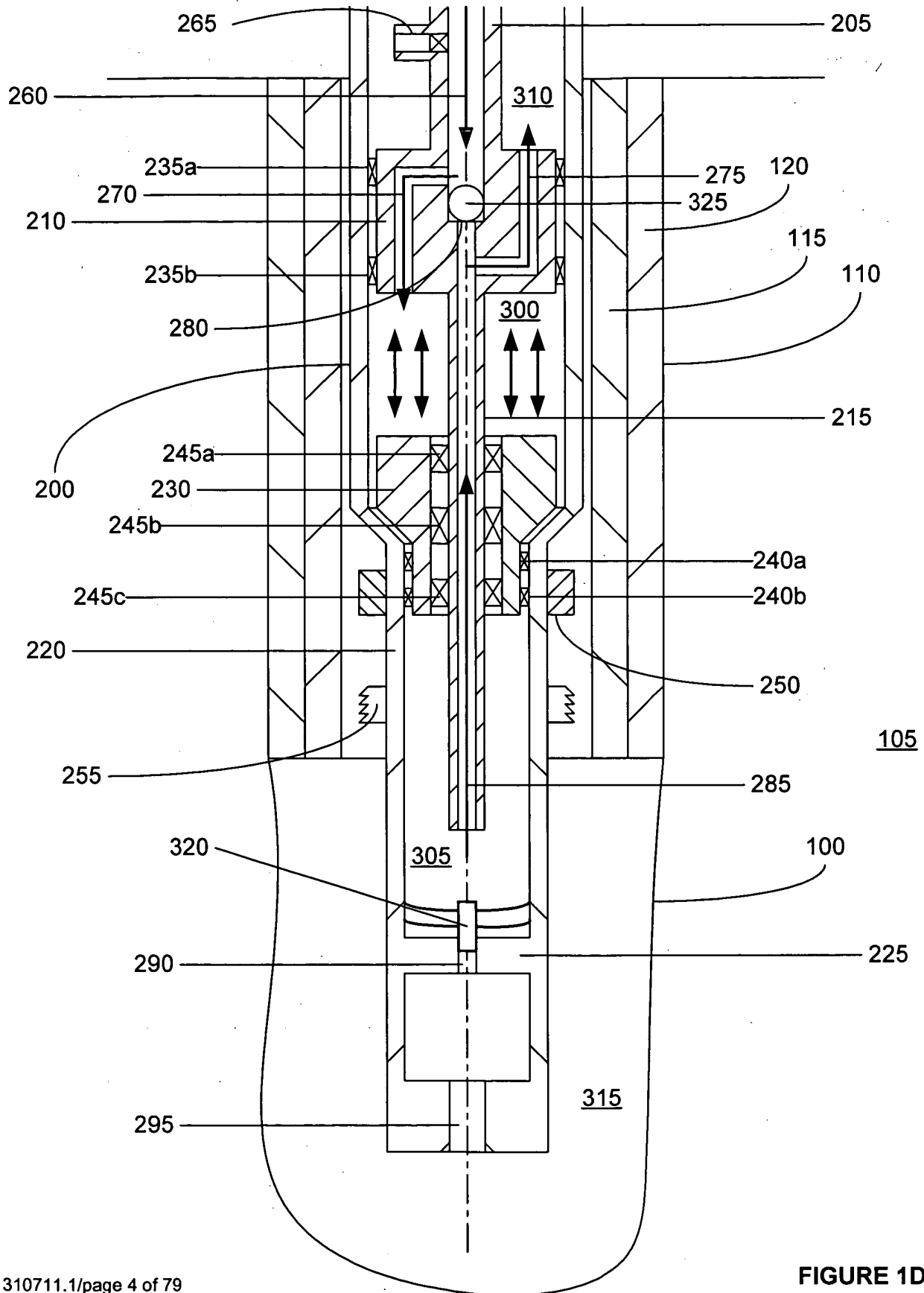


FIGURE 1D

310714.1/page 5 of 79

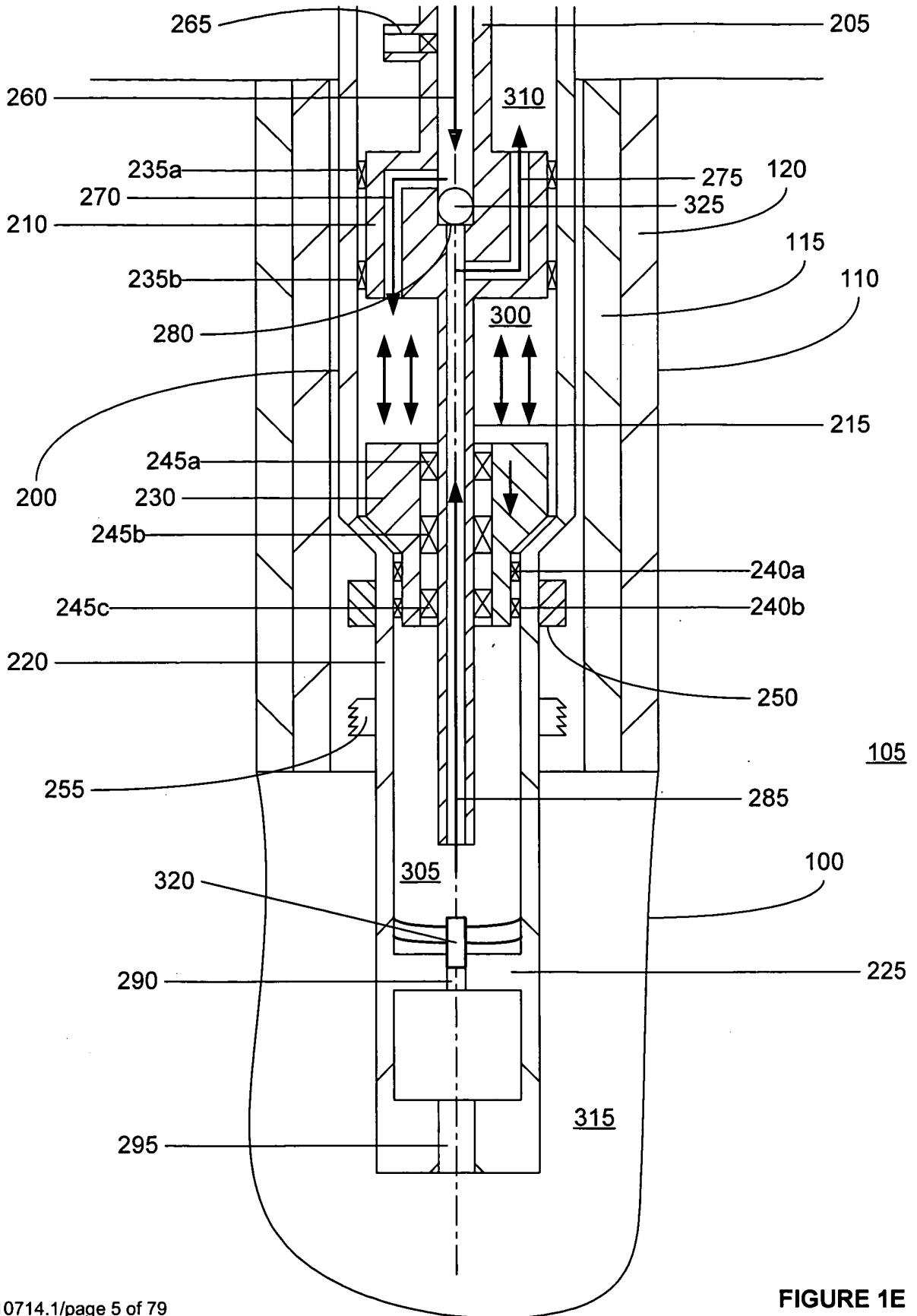


FIGURE 1E

310716.1

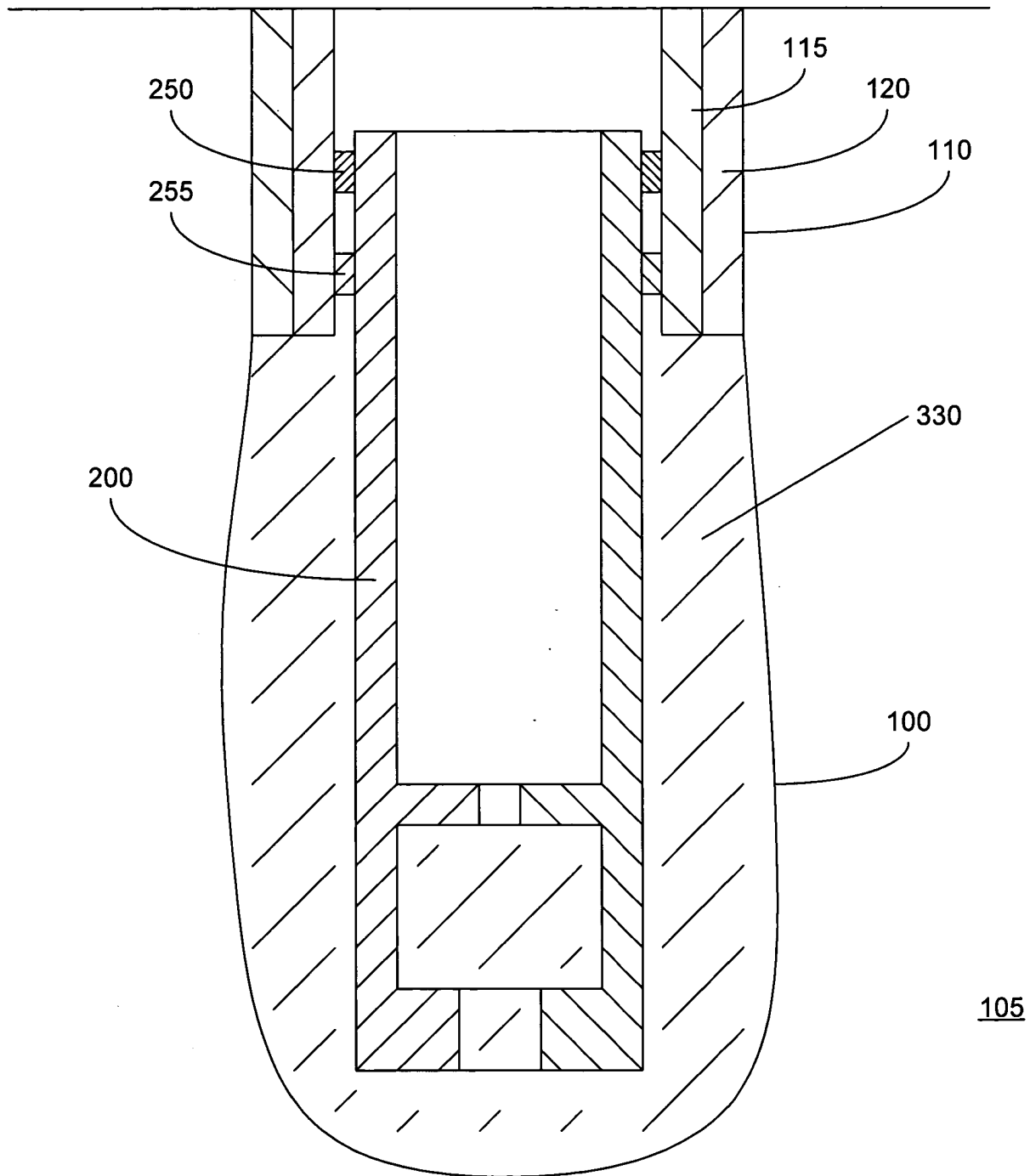


FIGURE 1F

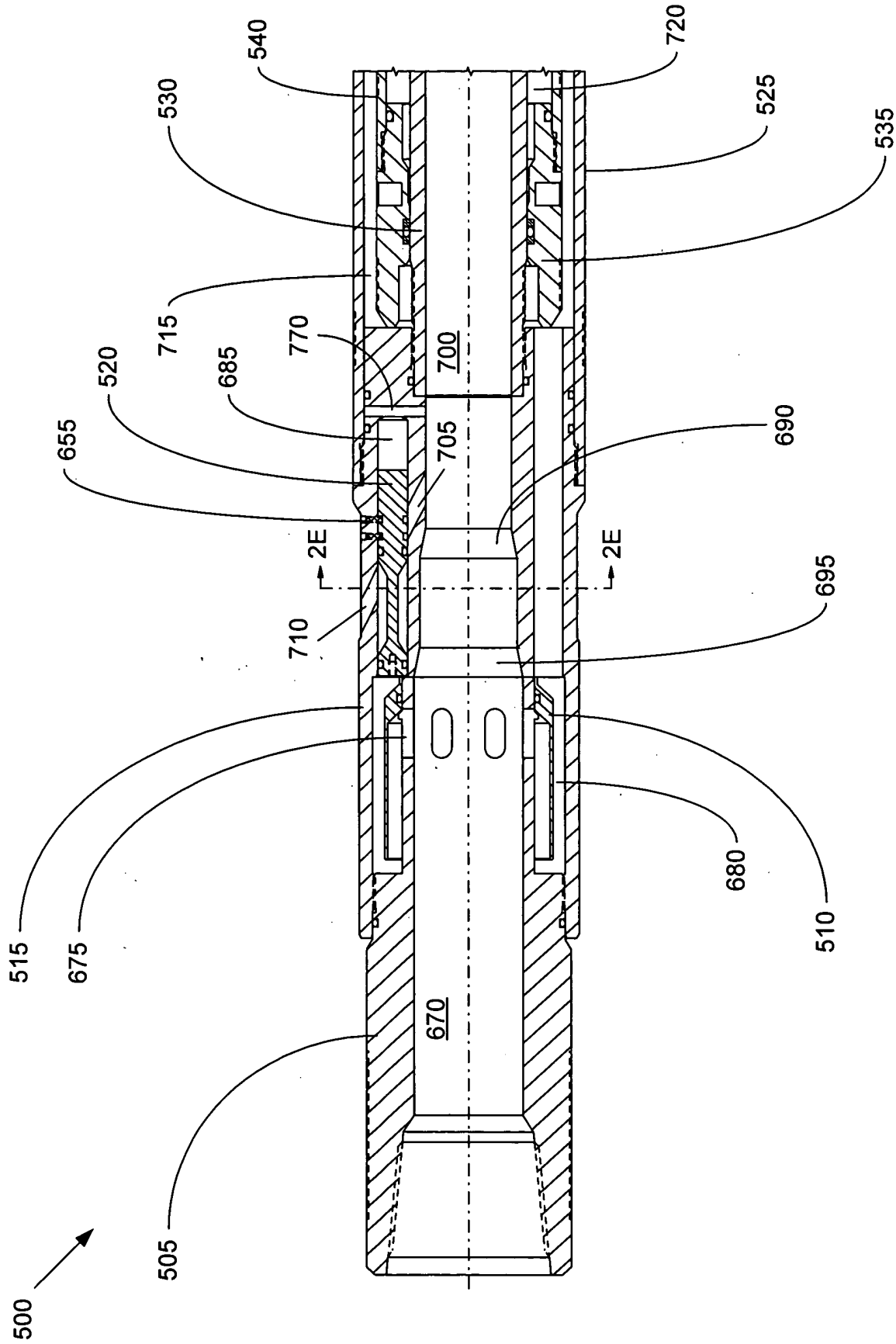


FIGURE 2A

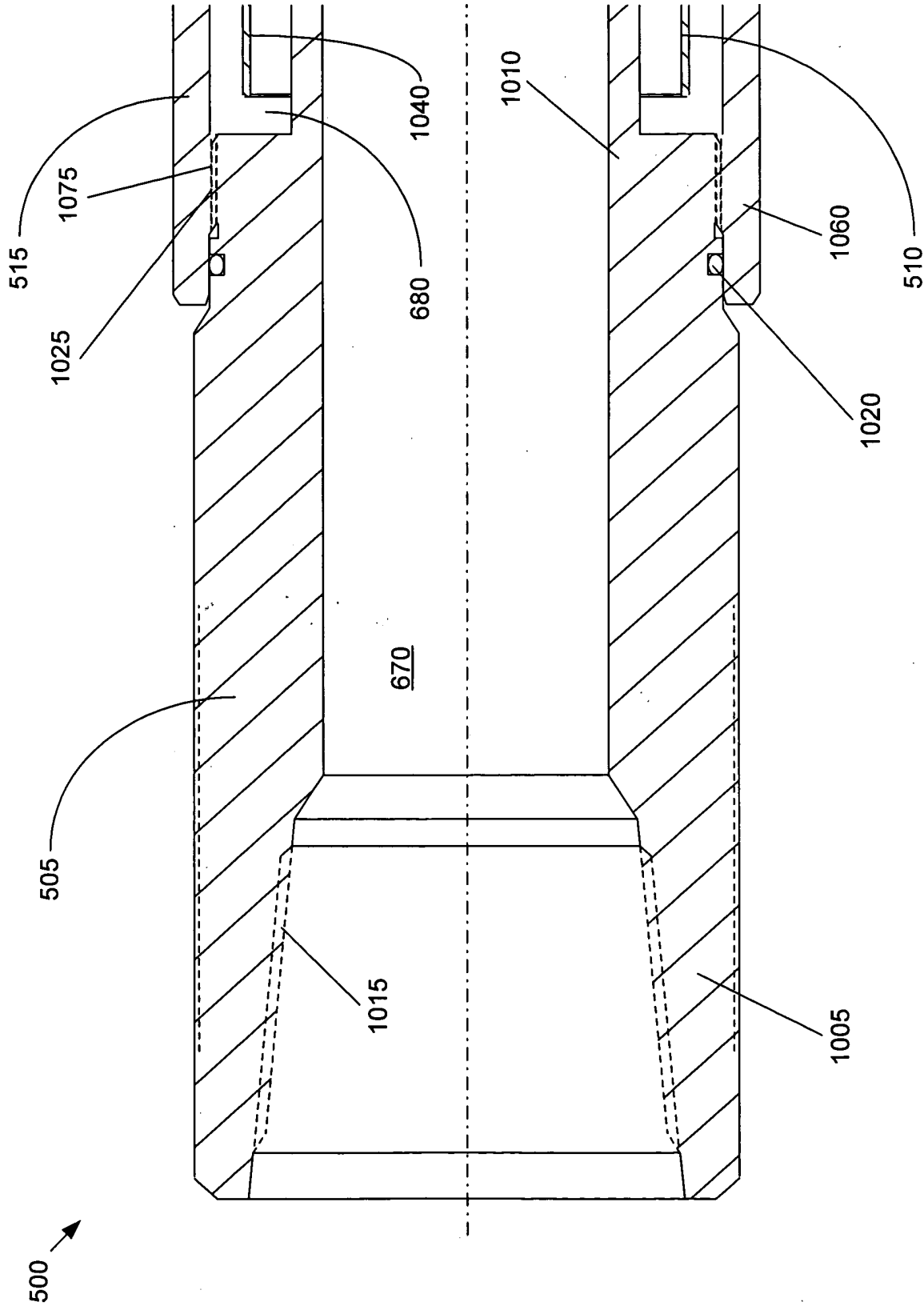


FIGURE 2B

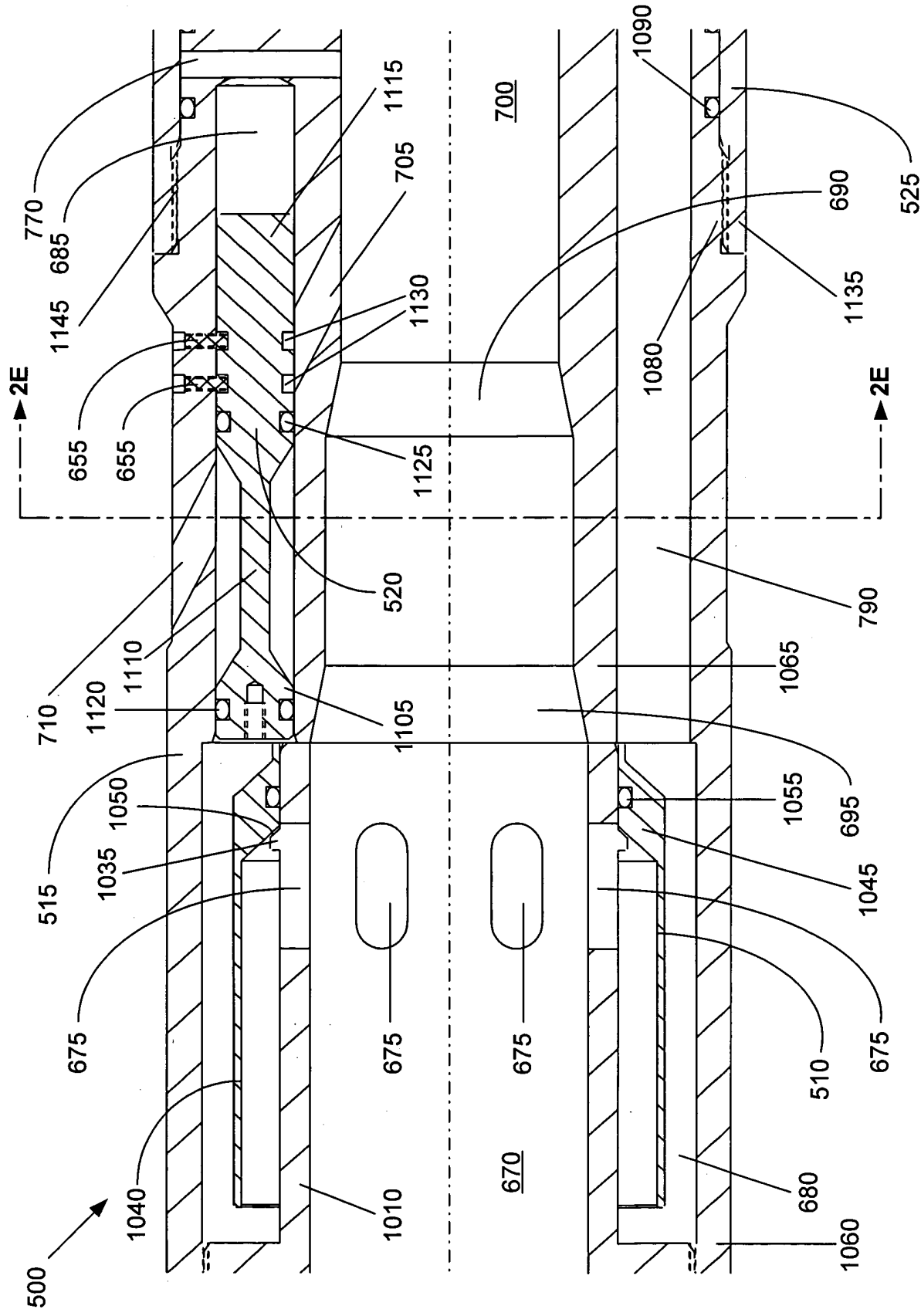


FIGURE 2C

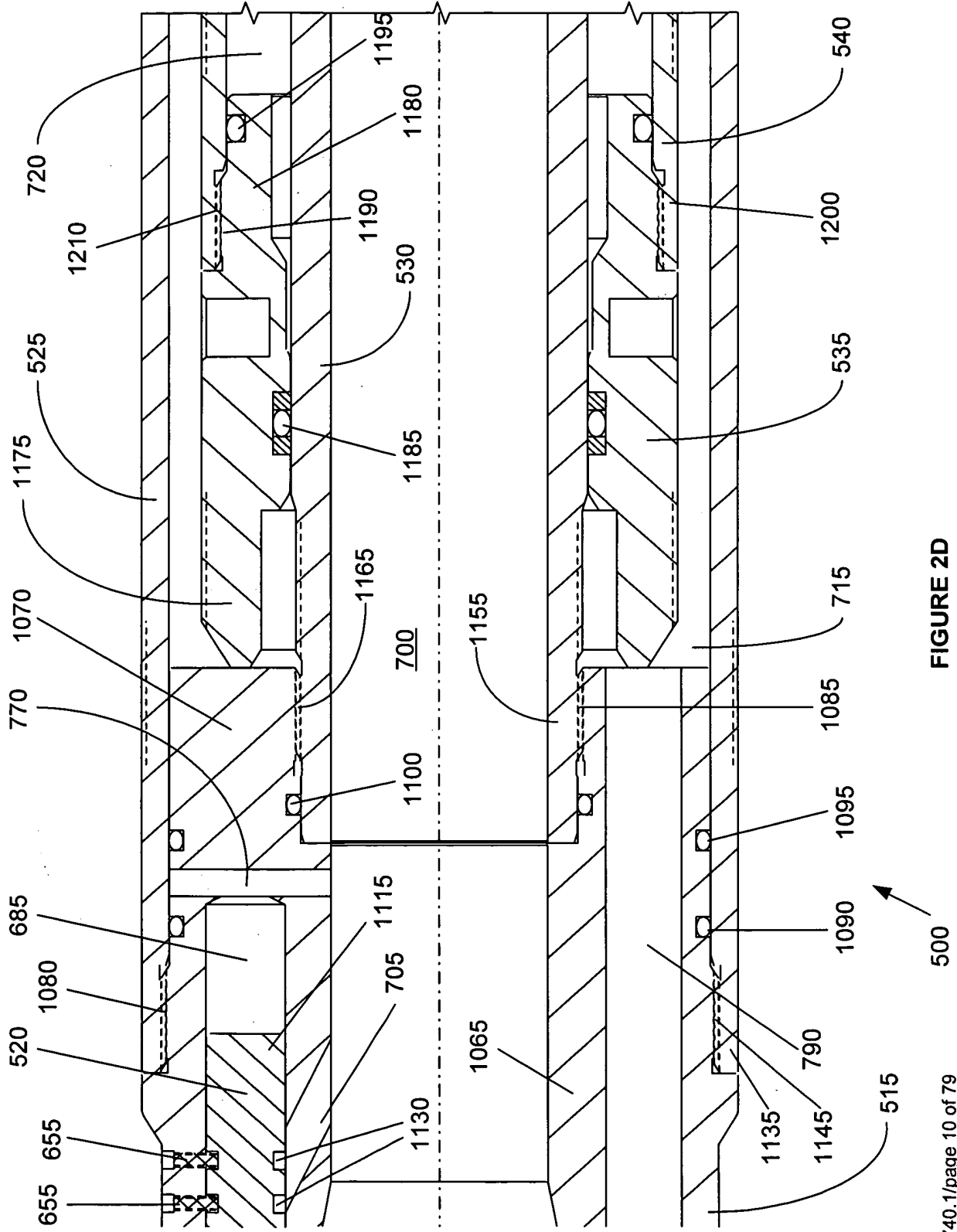


FIGURE 2D

500

500

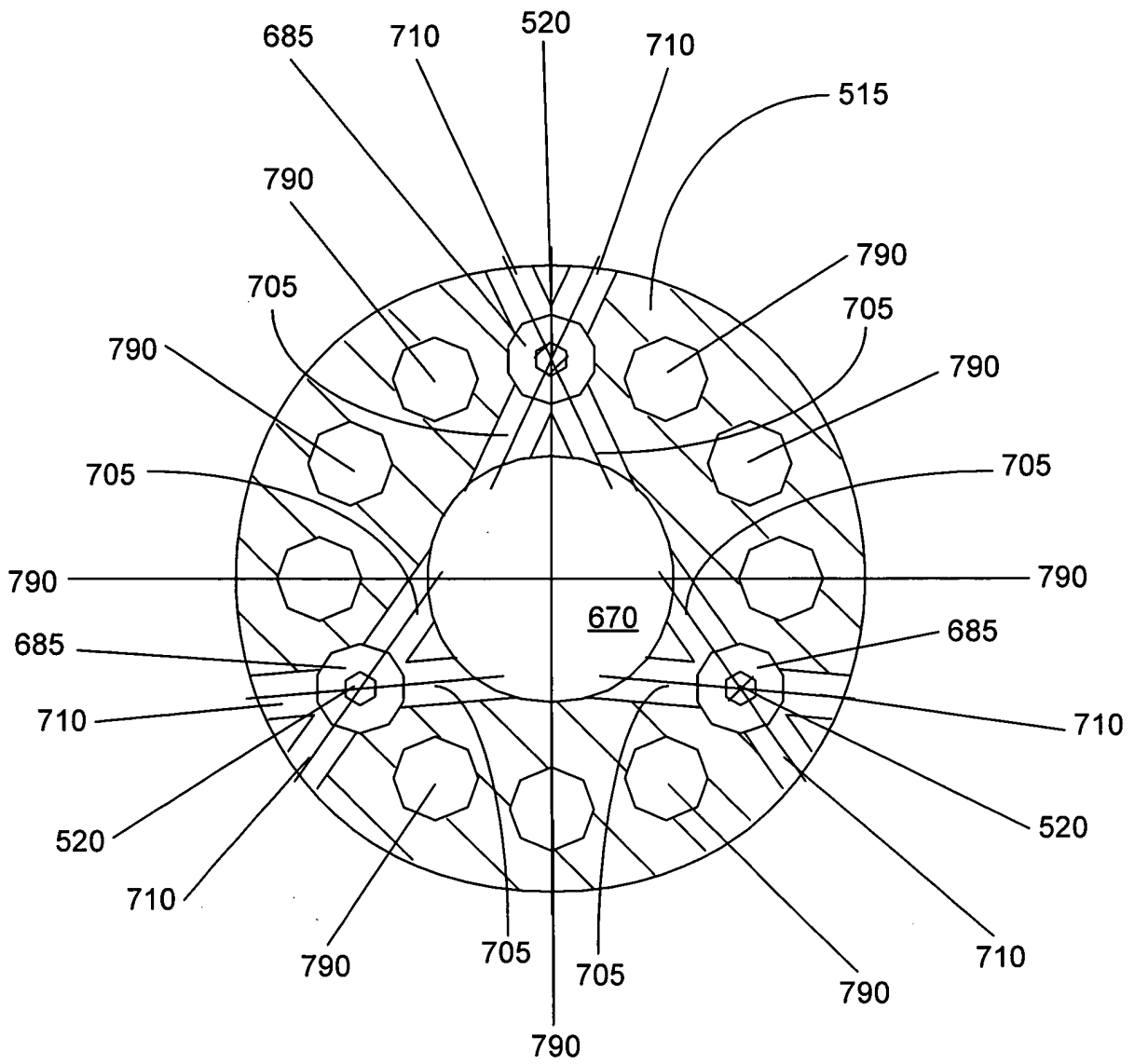


FIGURE 2E

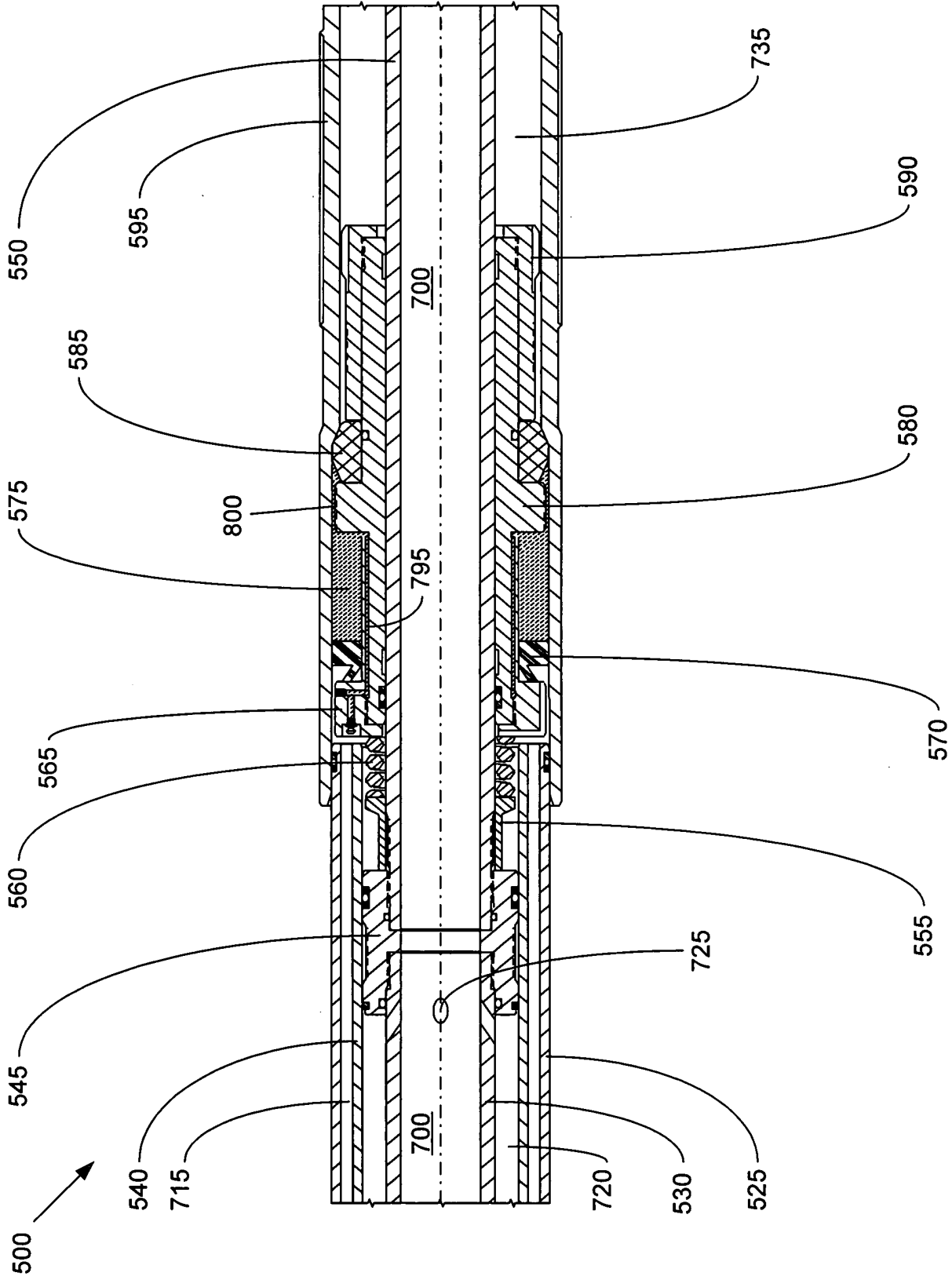


FIGURE 2F

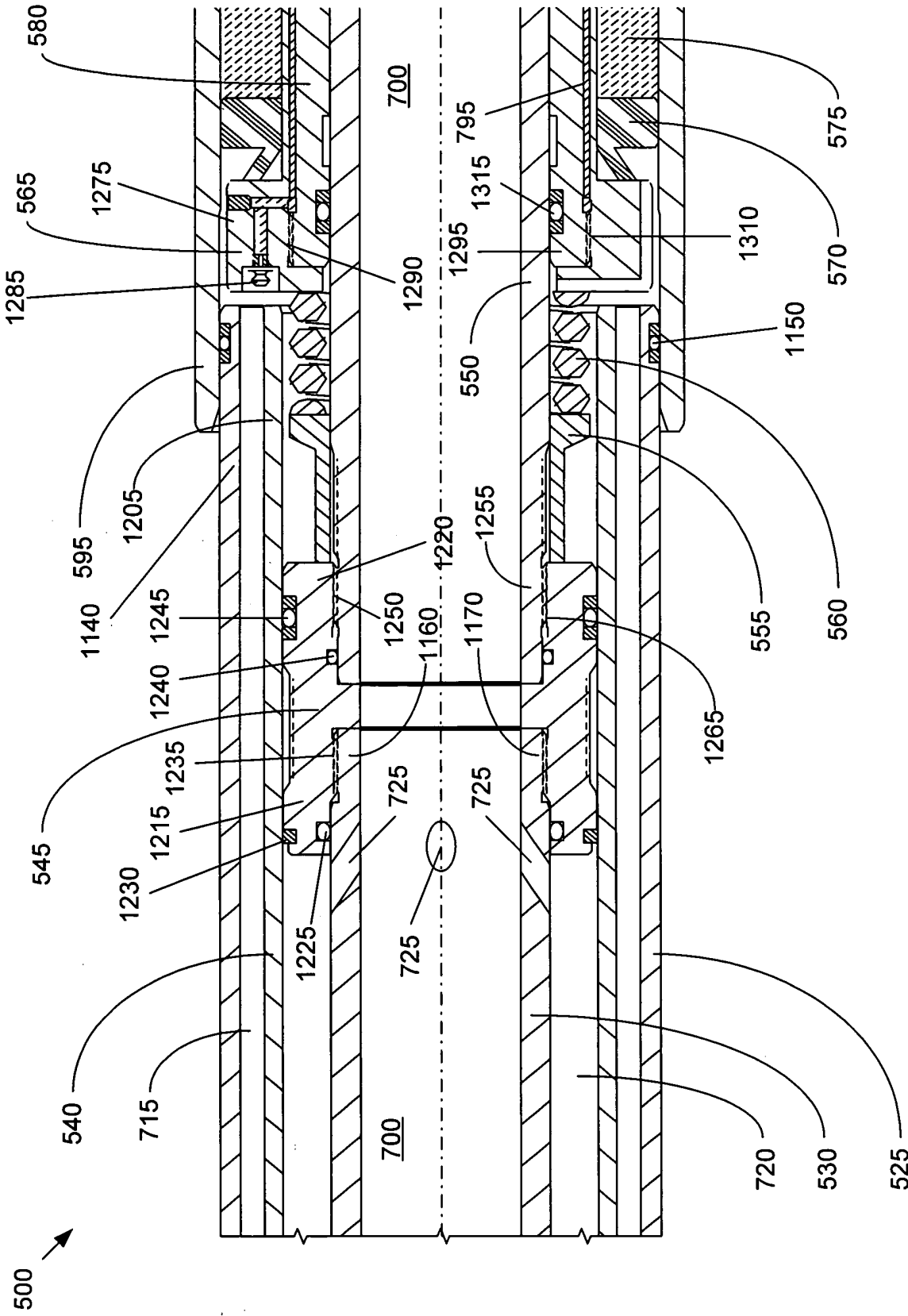


FIGURE 2G

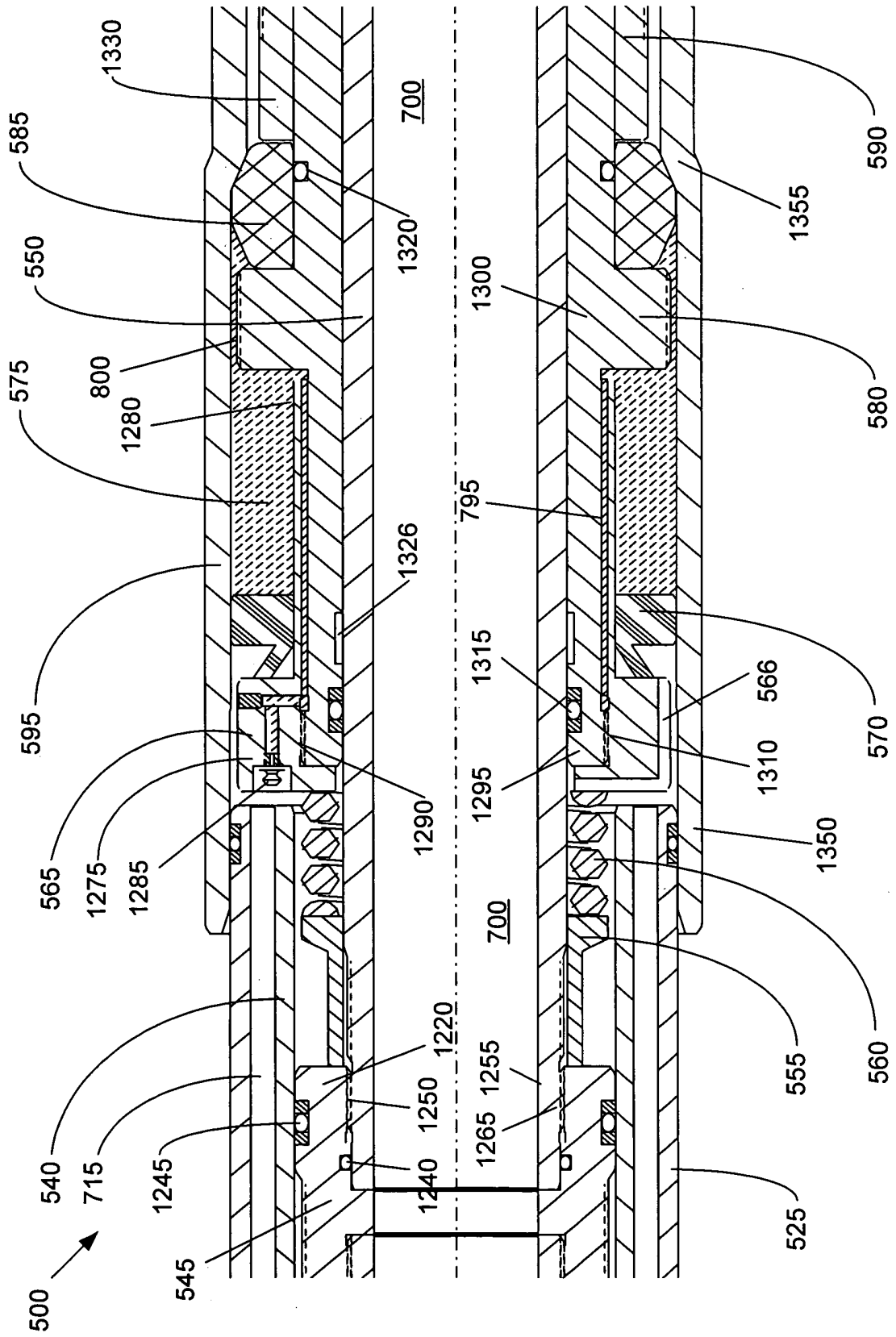


FIGURE 2H

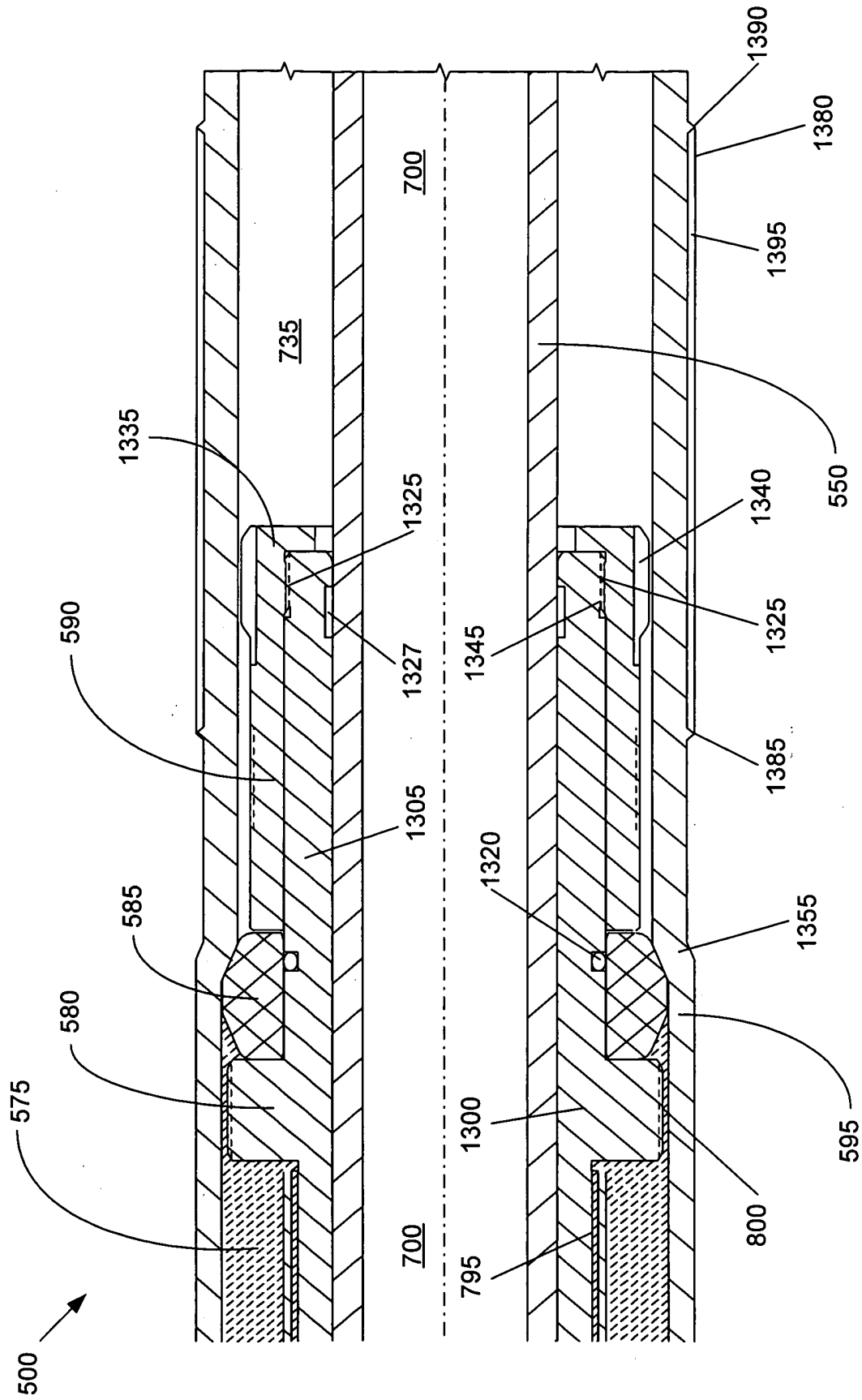


FIGURE 21

311049.1

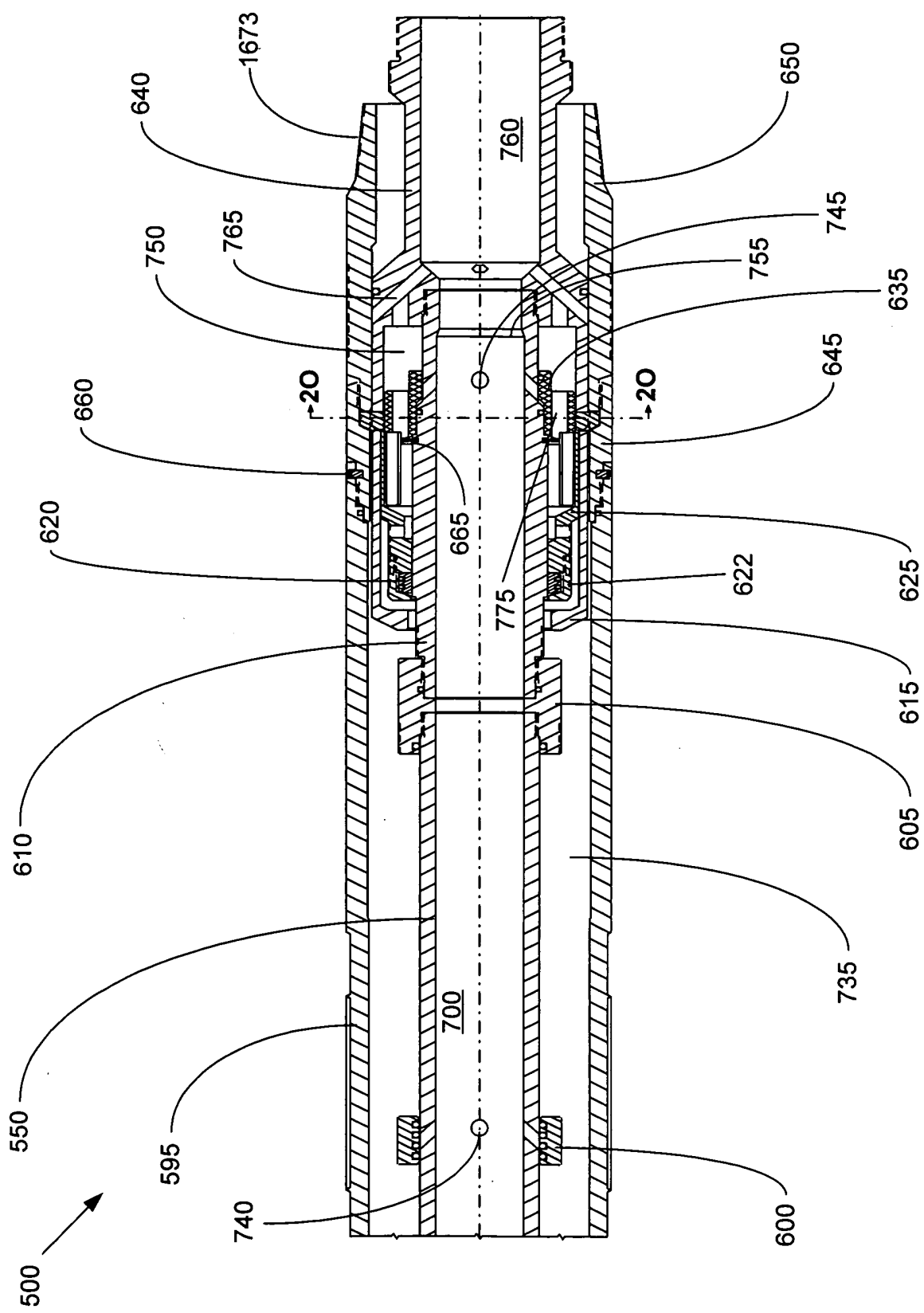


FIGURE 2J

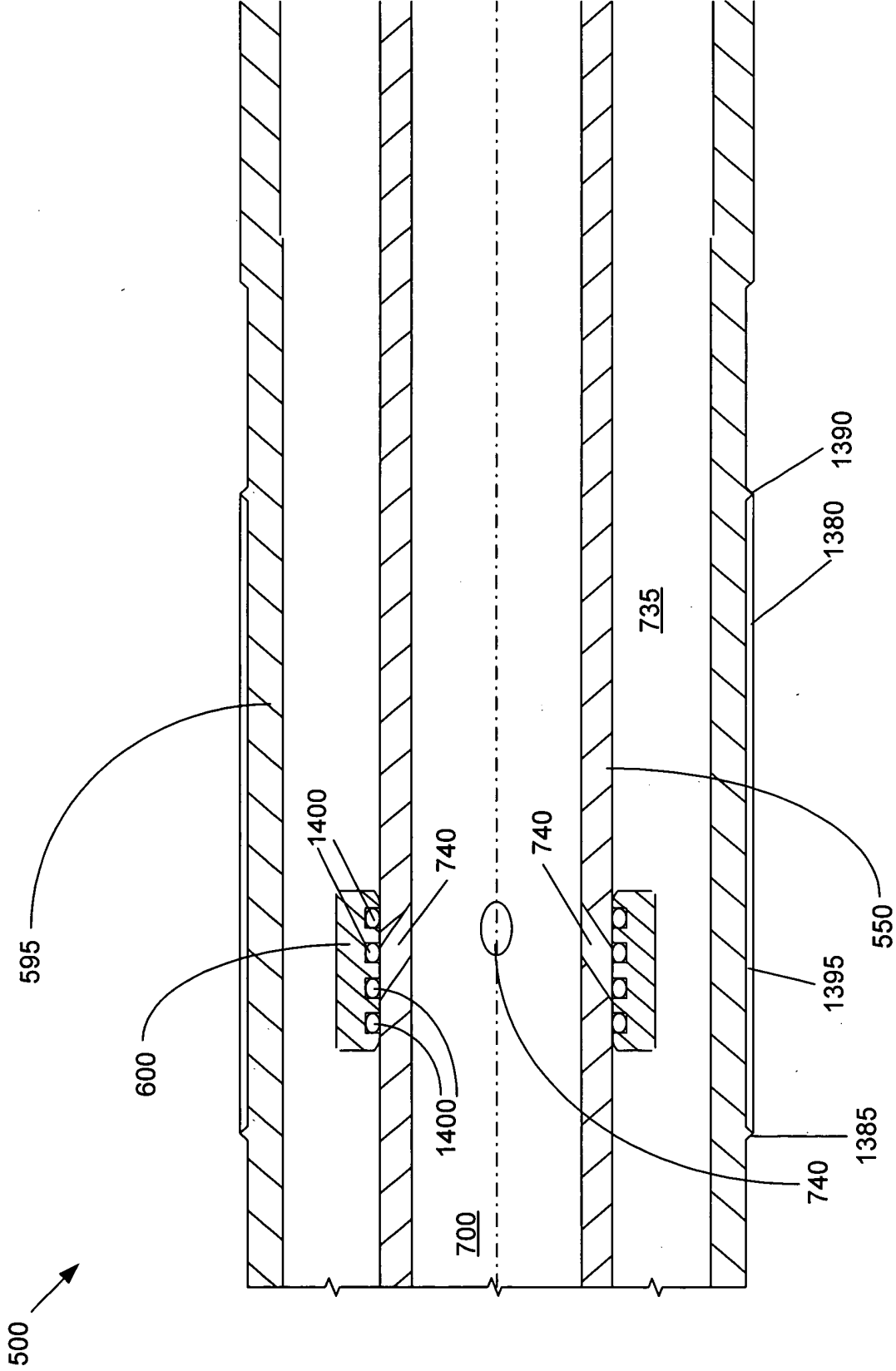


FIGURE 2K

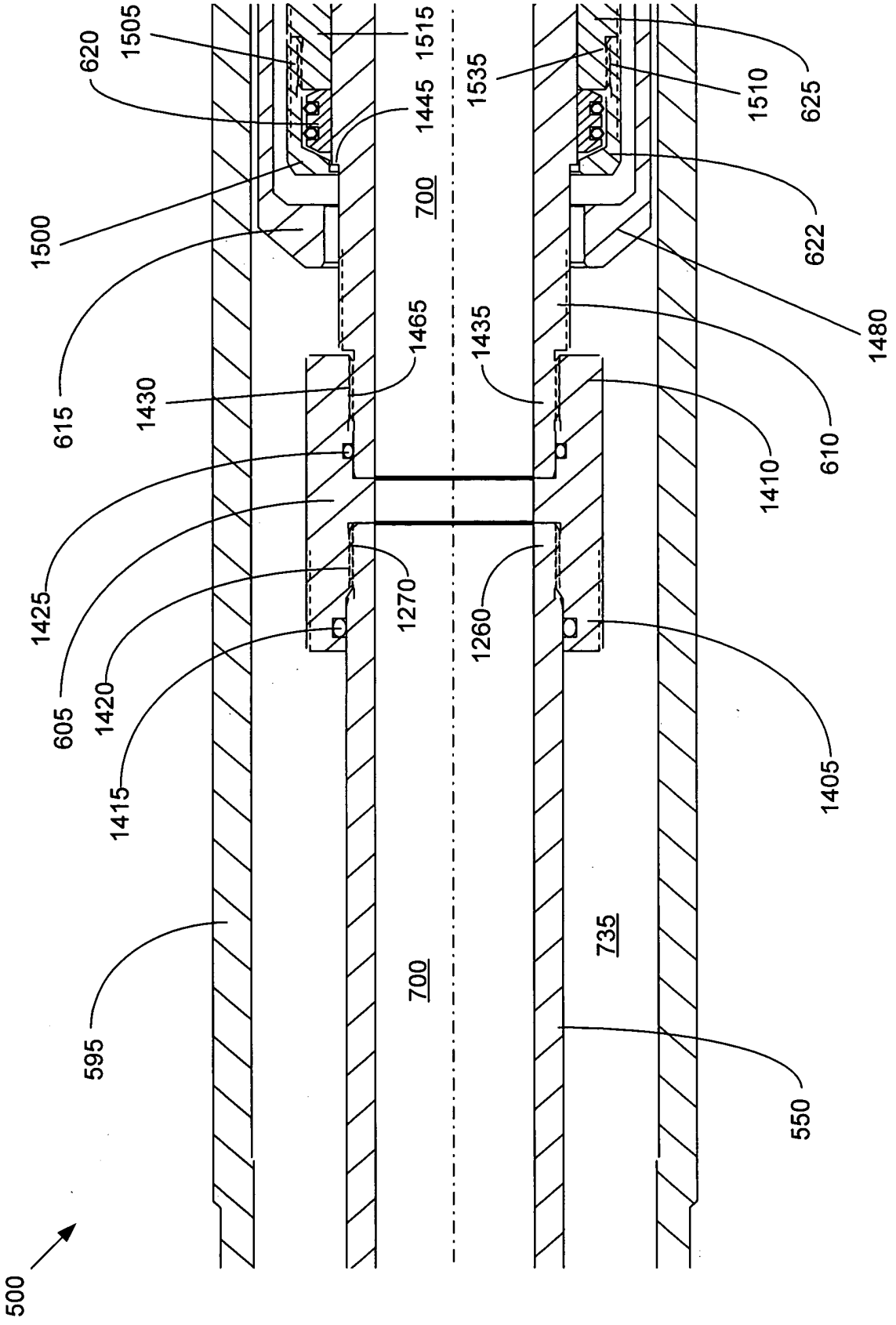


FIGURE 2L

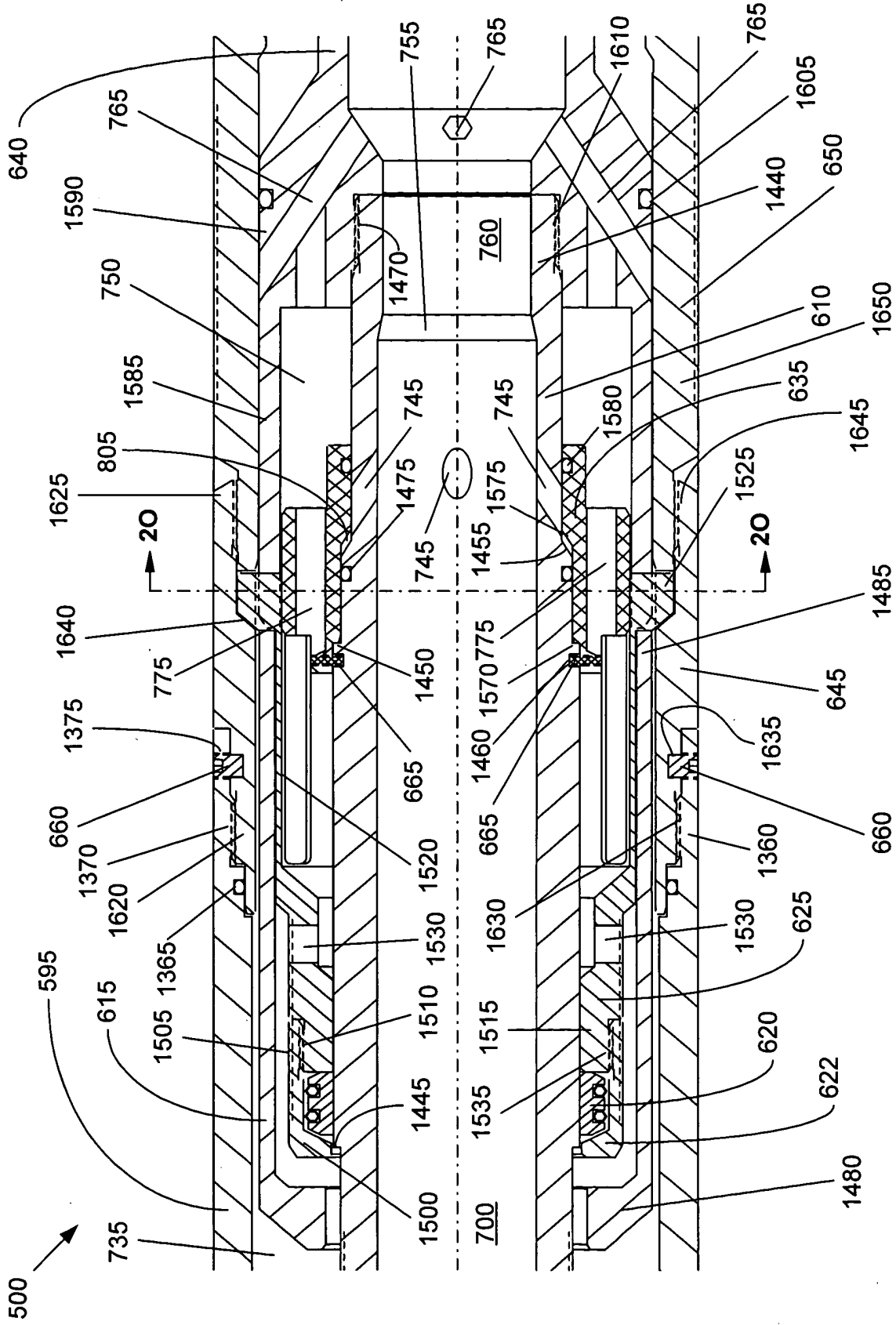


FIGURE 2M

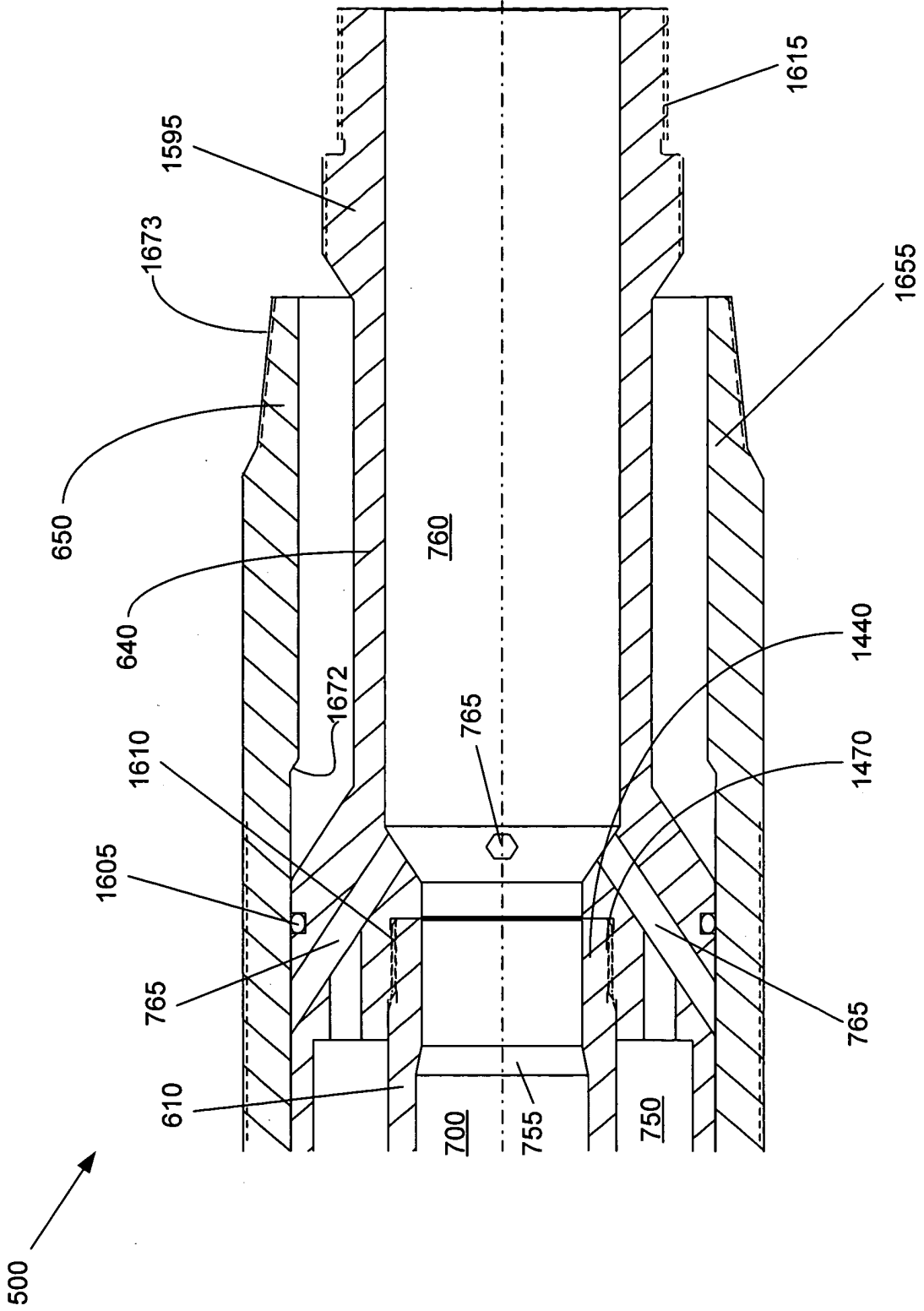


FIGURE 2N

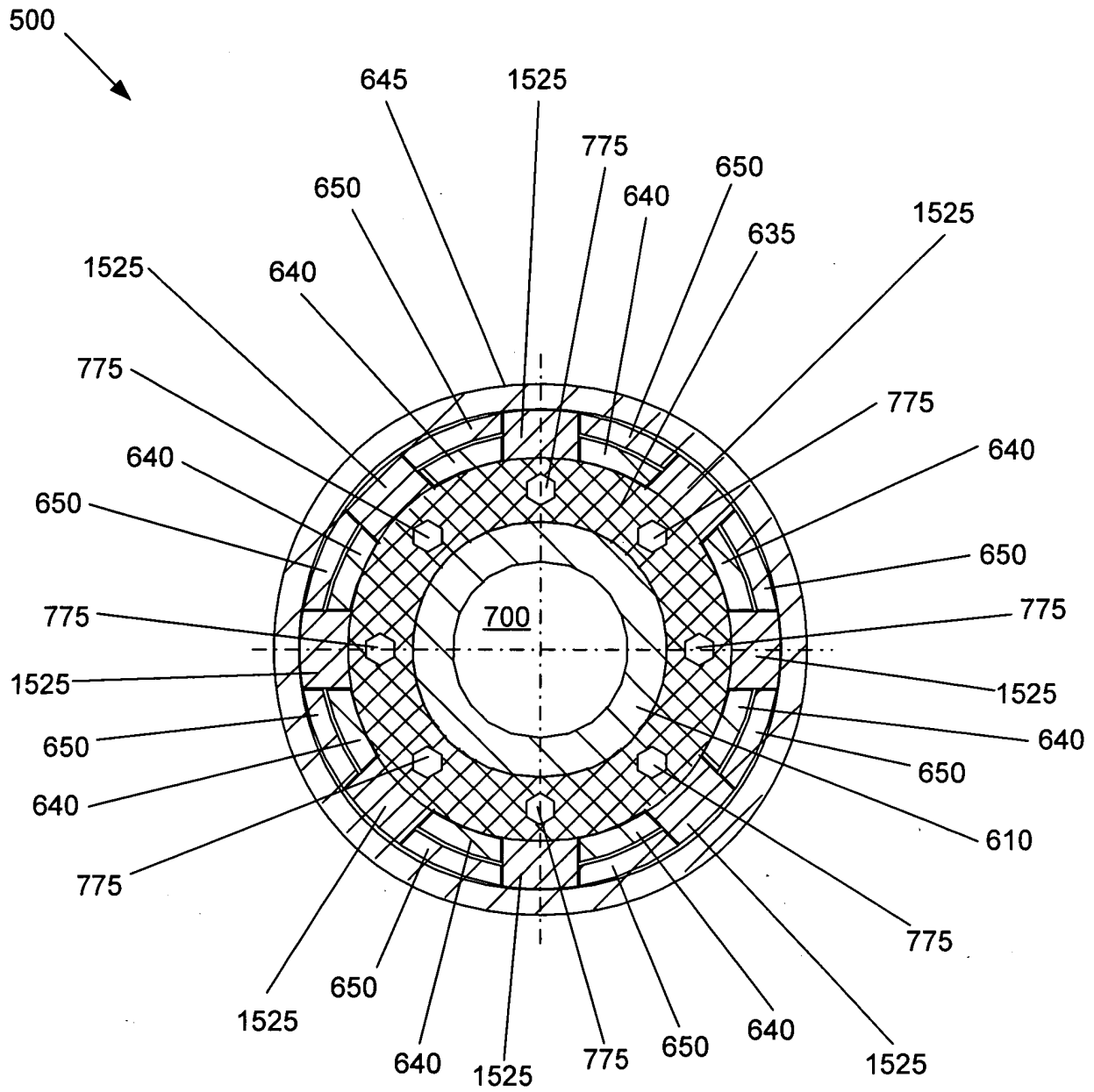


FIGURE 20

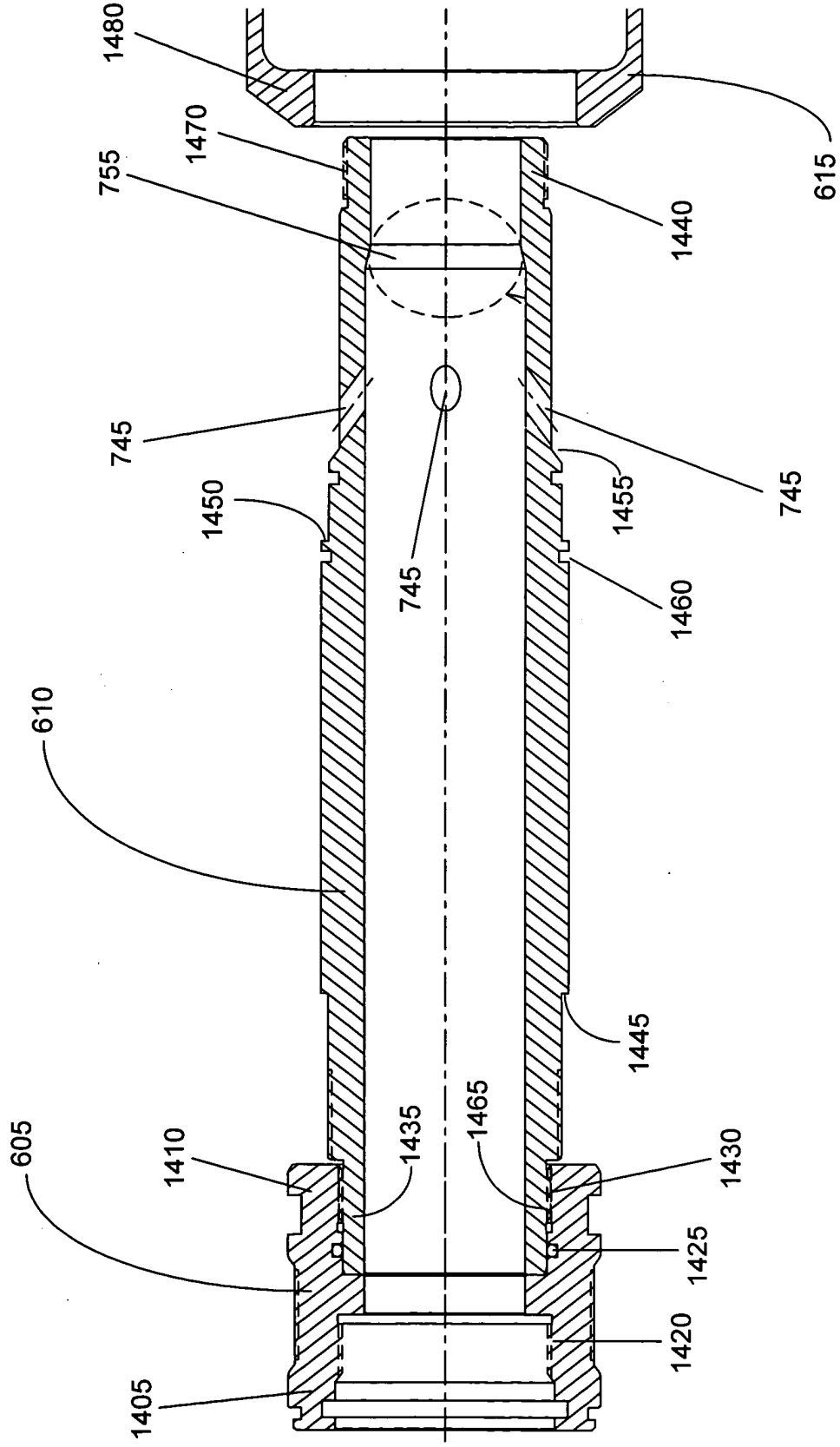


FIGURE 3A

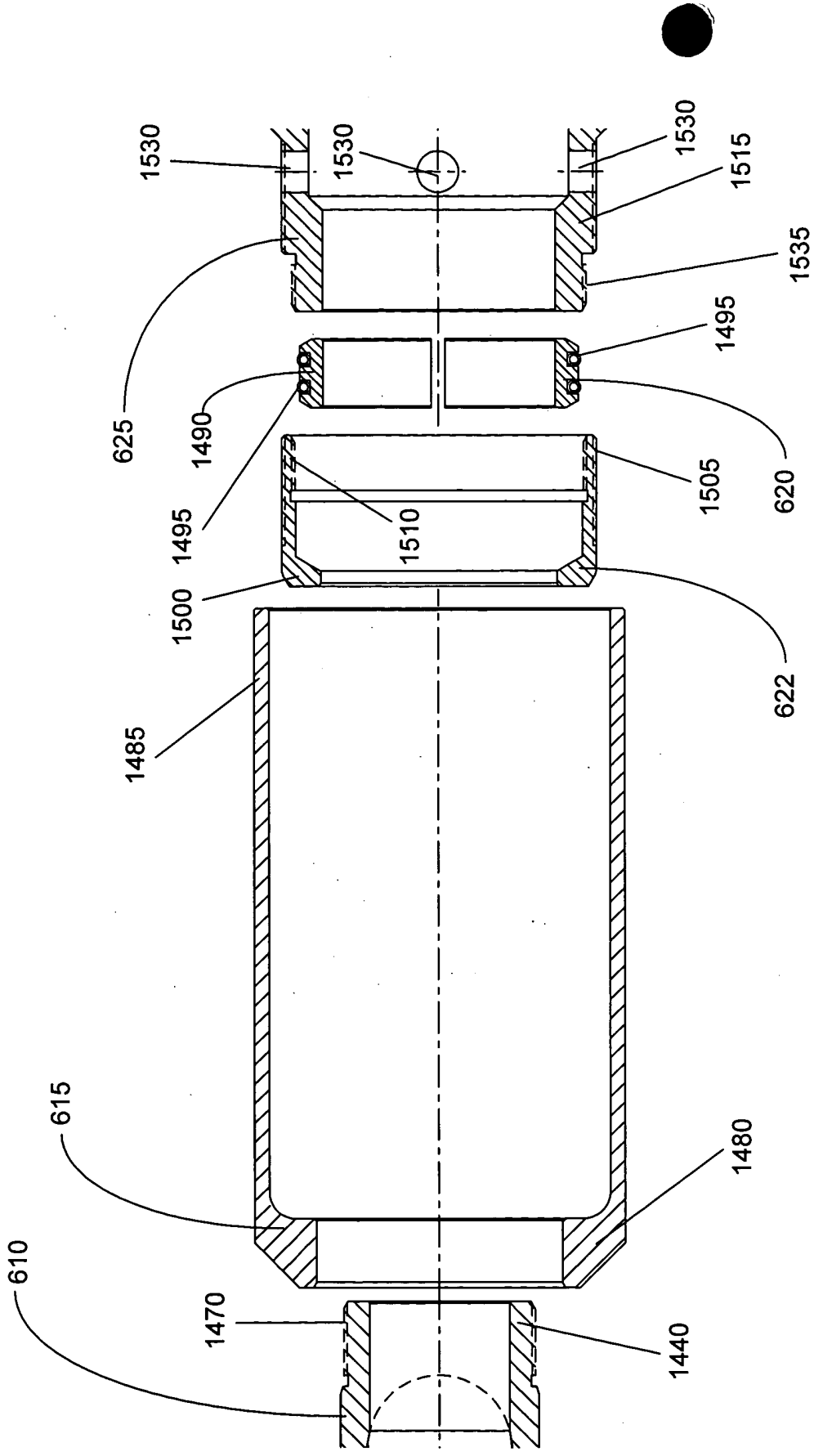


FIGURE 3B

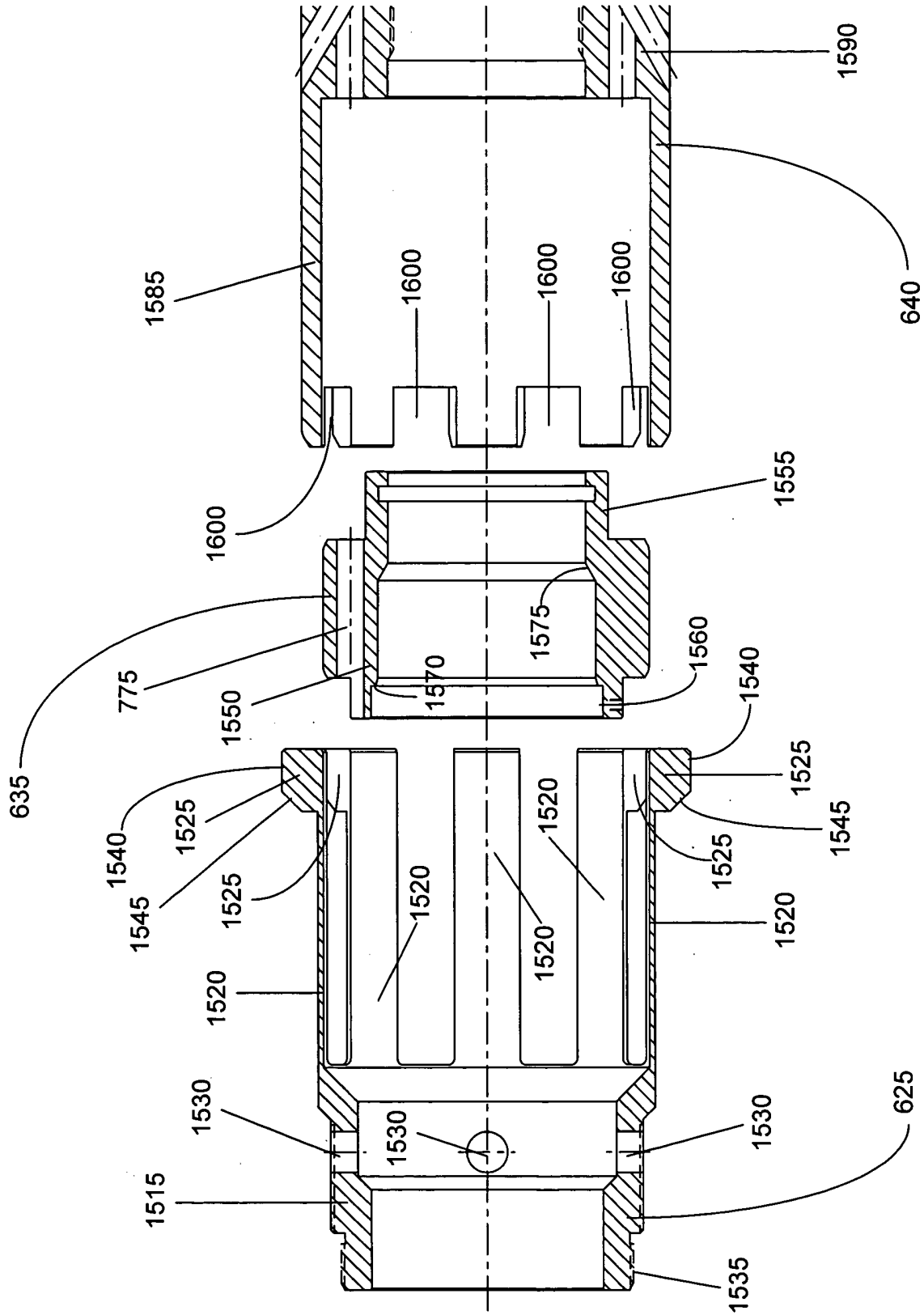


FIGURE 3C

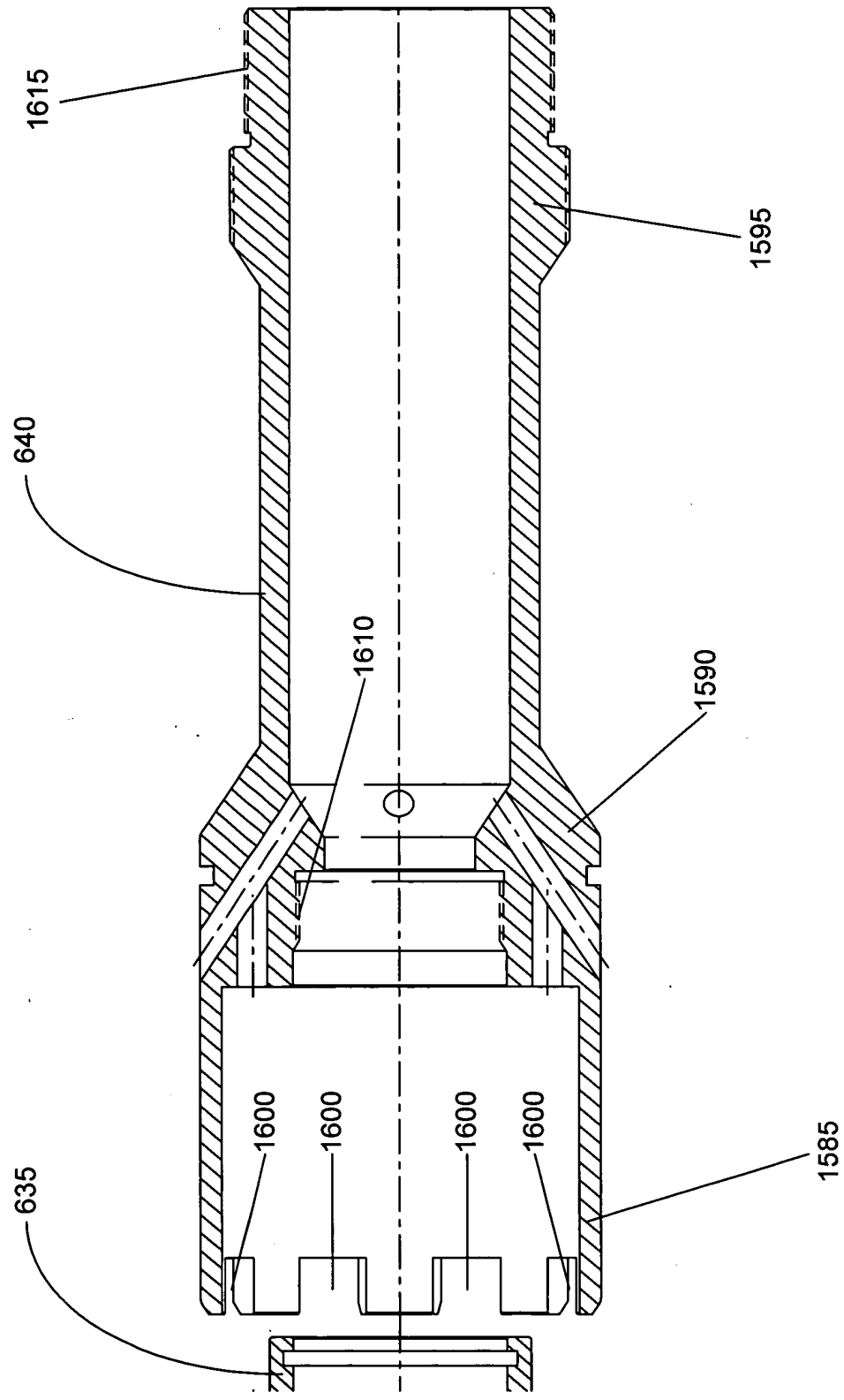


FIGURE 3D

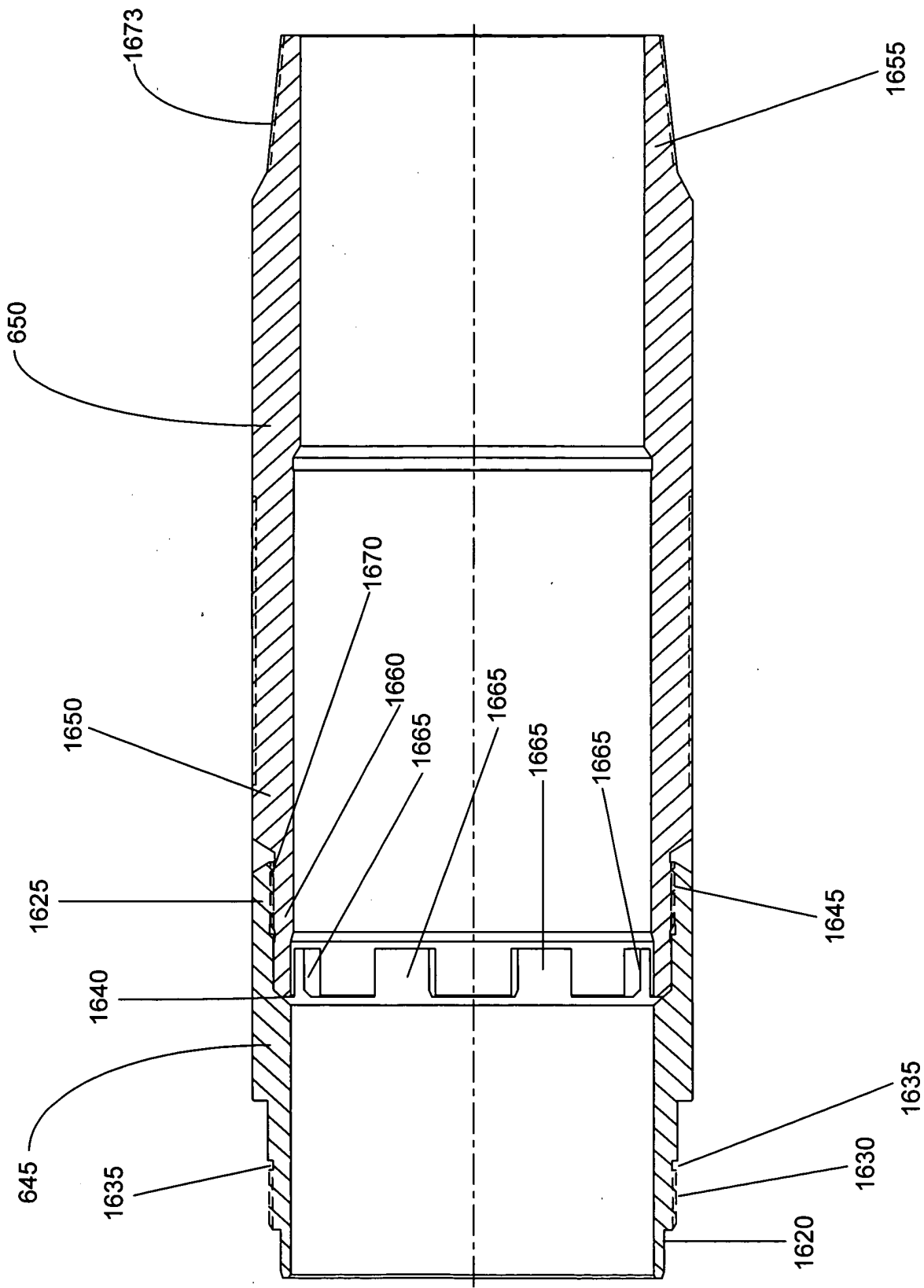


FIGURE 3E

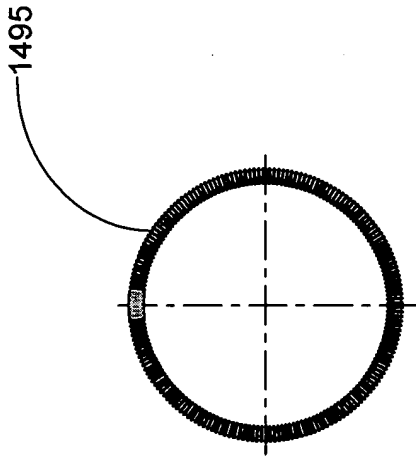


FIGURE 3F

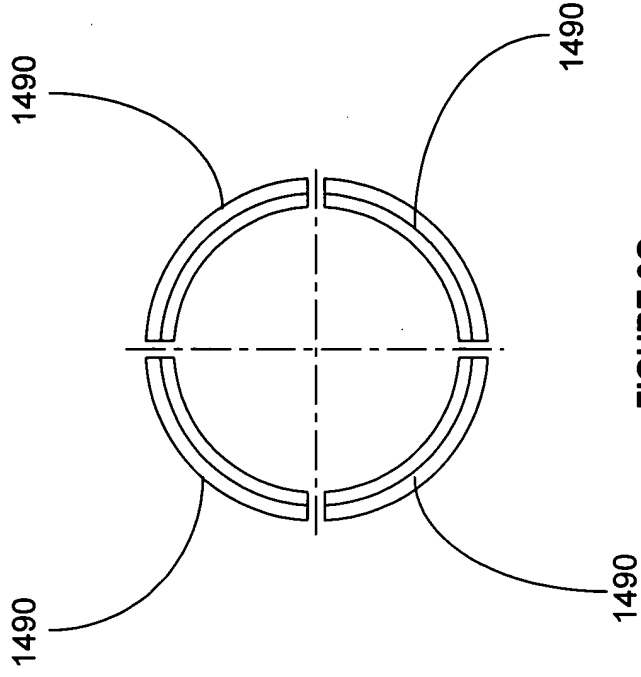


FIGURE 3G

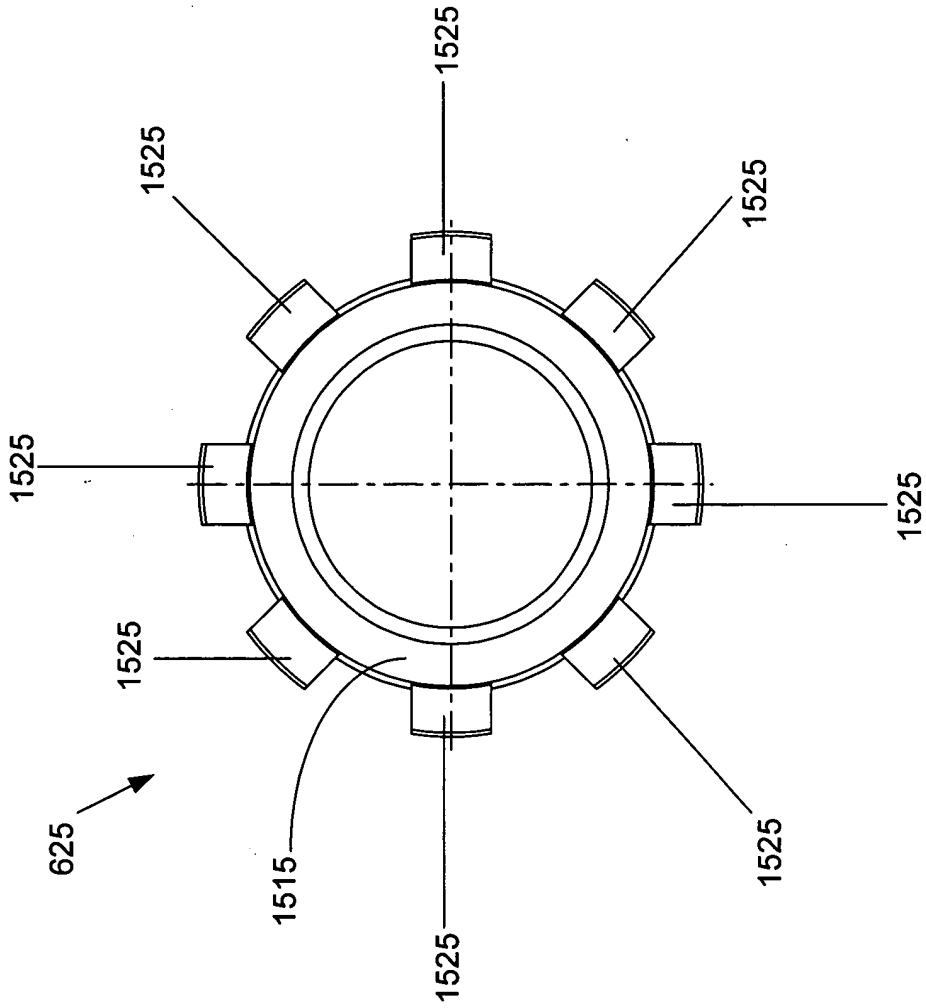



FIGURE 3H

FIG. 31

635 

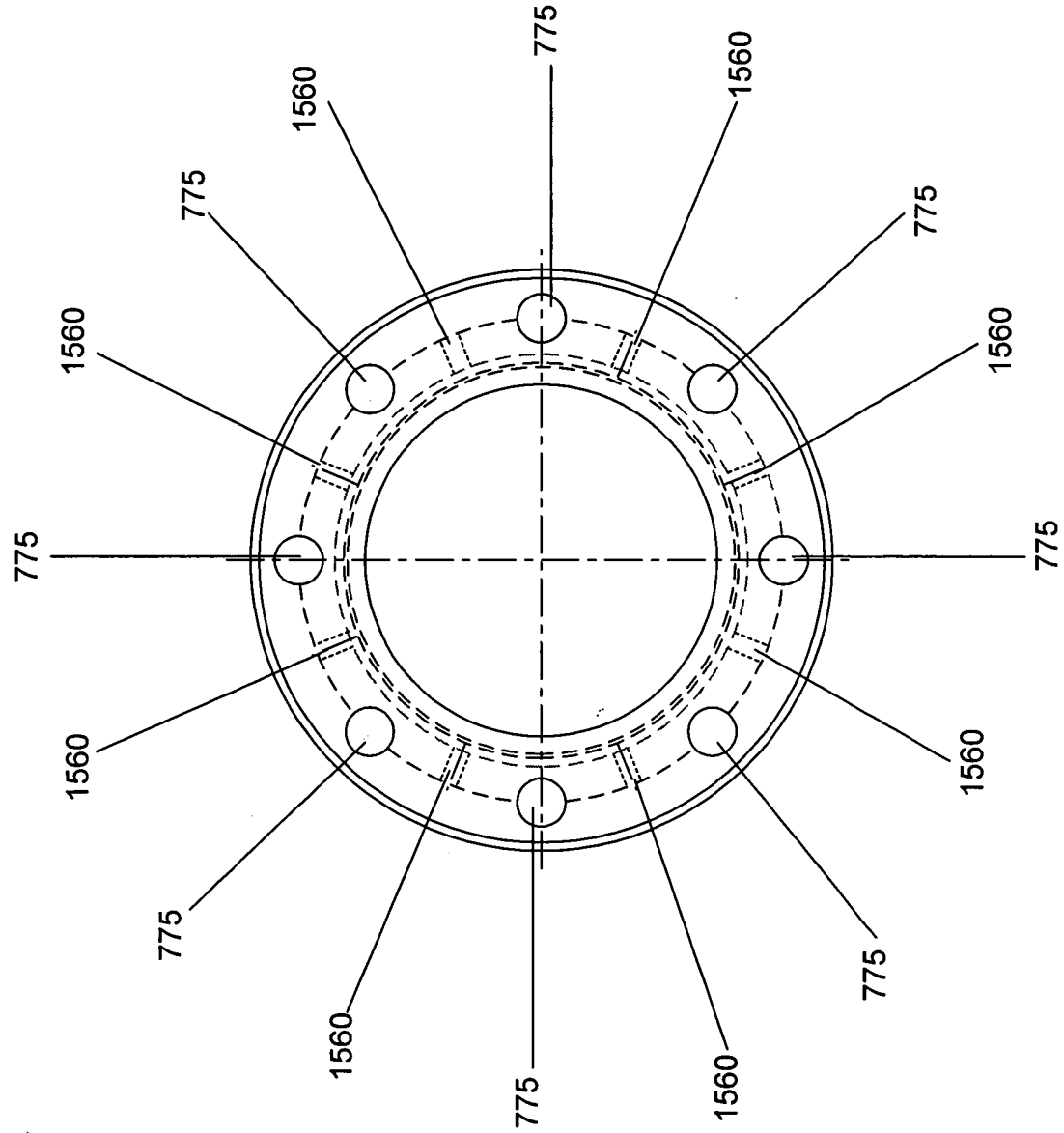


FIGURE 31

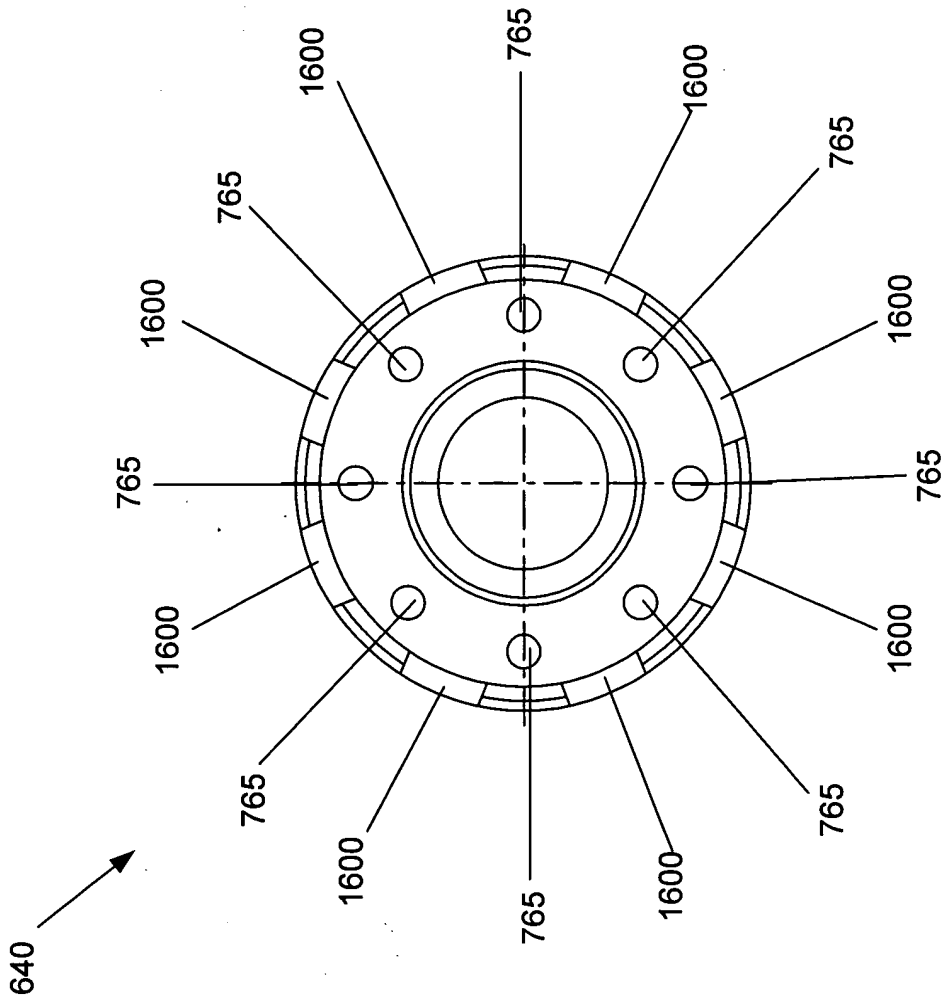


FIGURE 3J

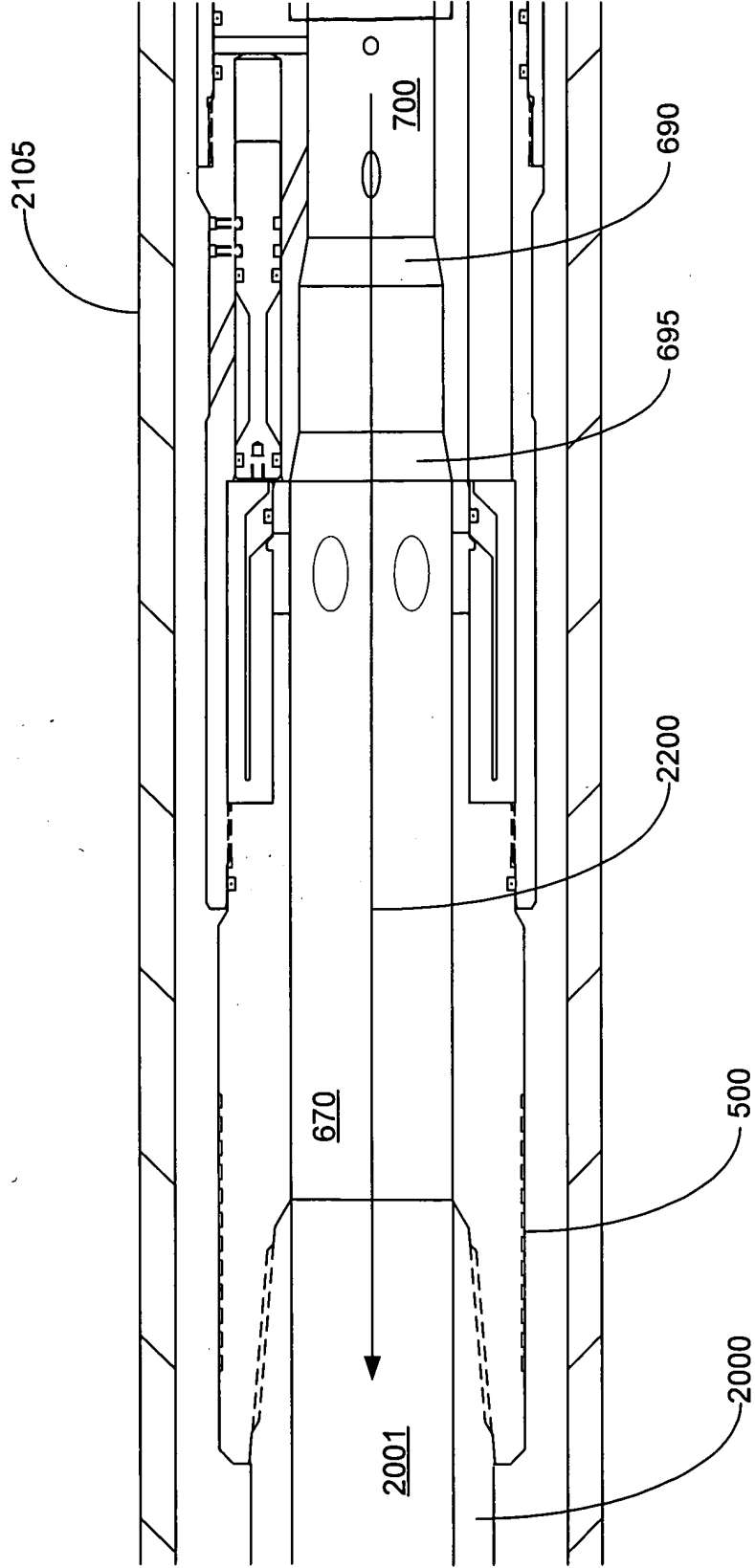


FIGURE 4A

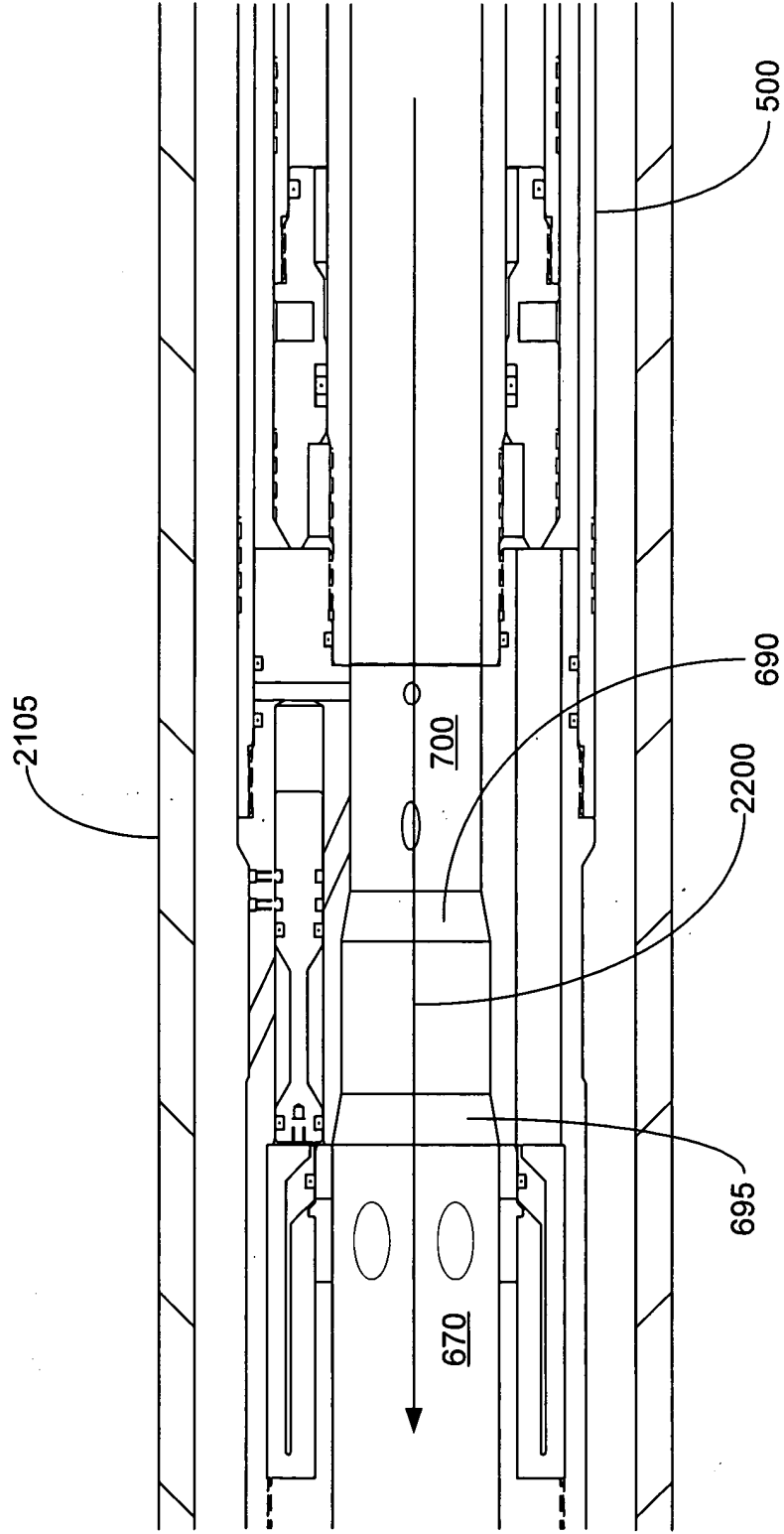


FIGURE 4B

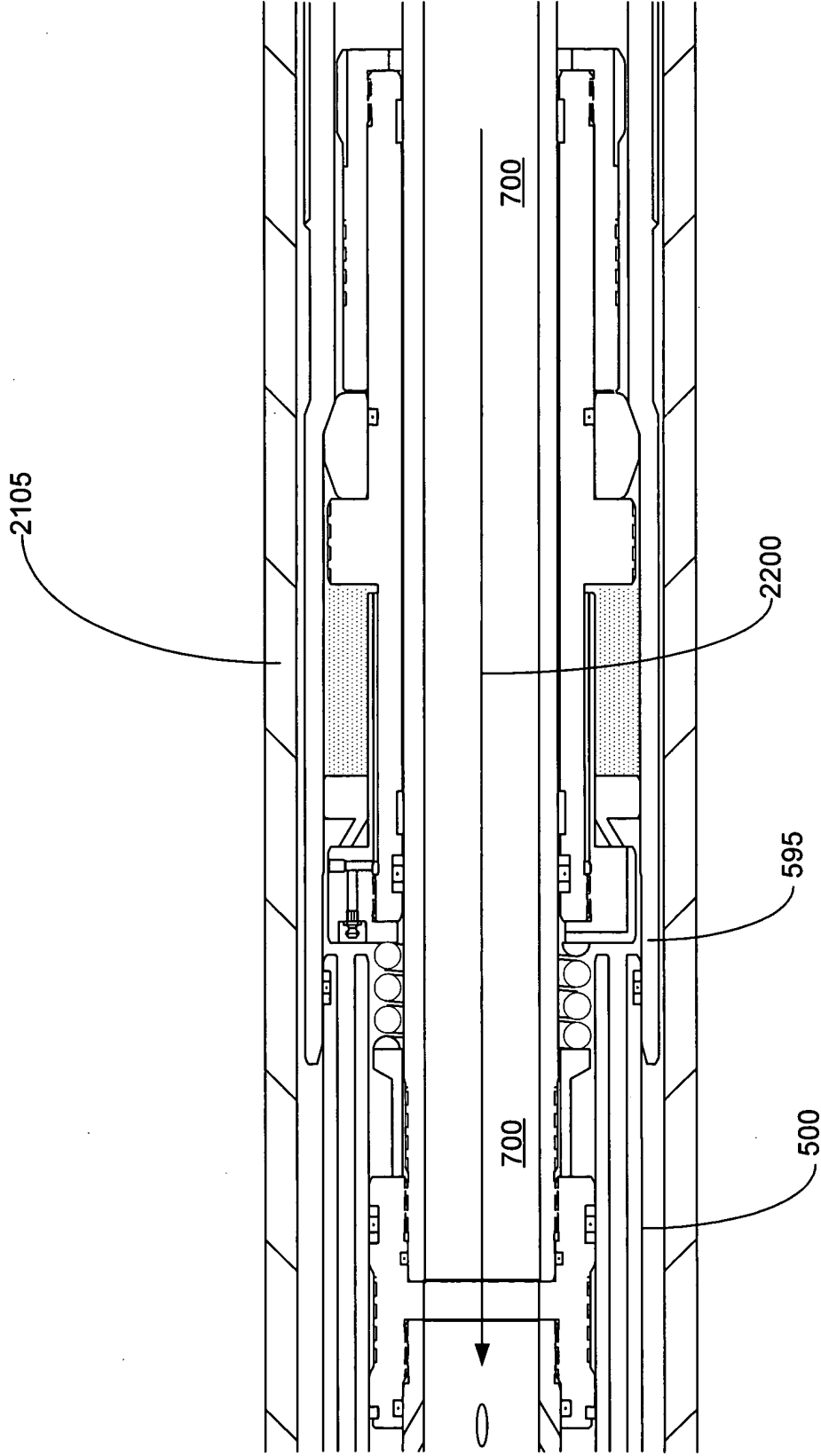


FIGURE 4C

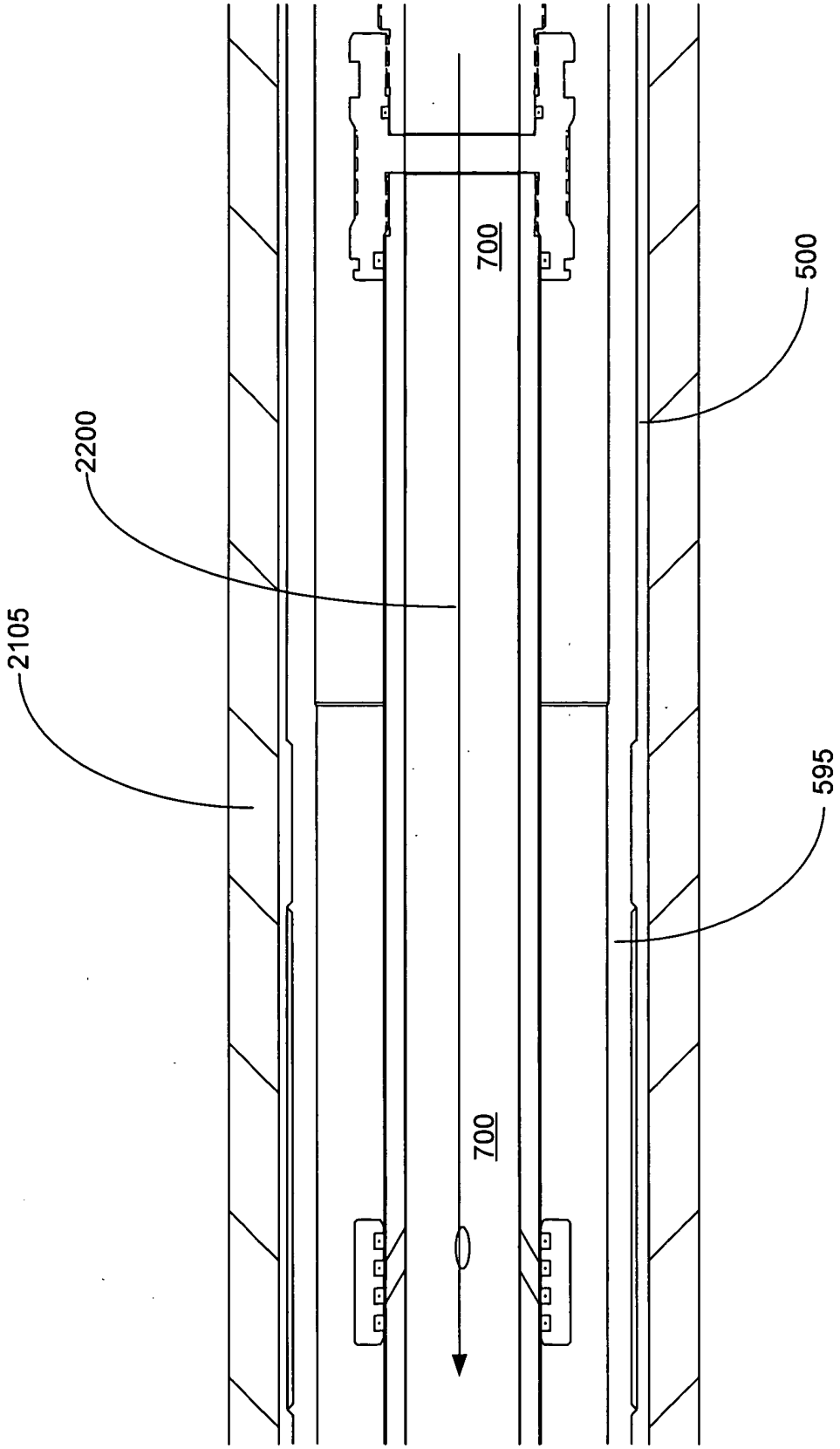


FIGURE 4D

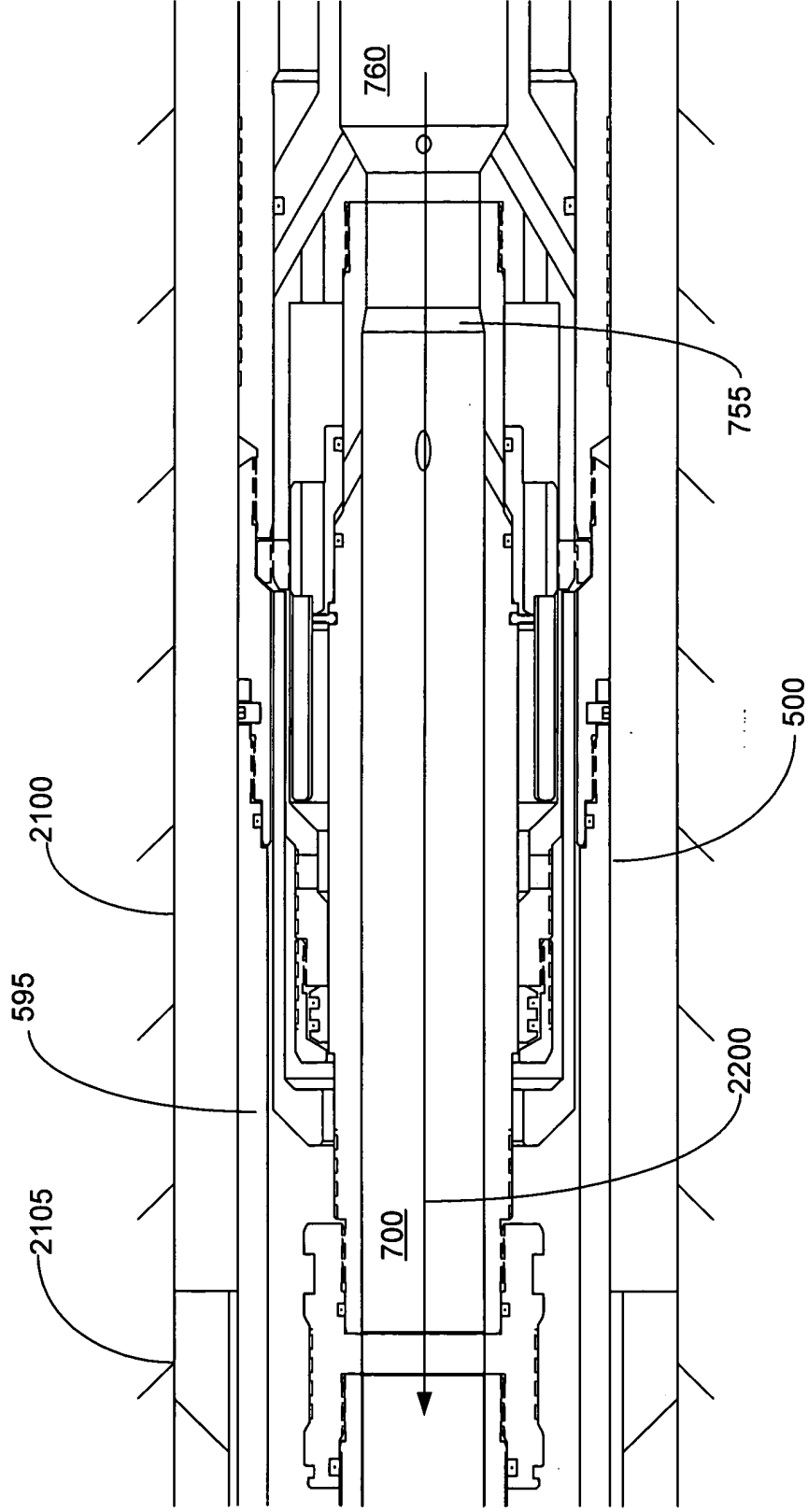


FIGURE 4E

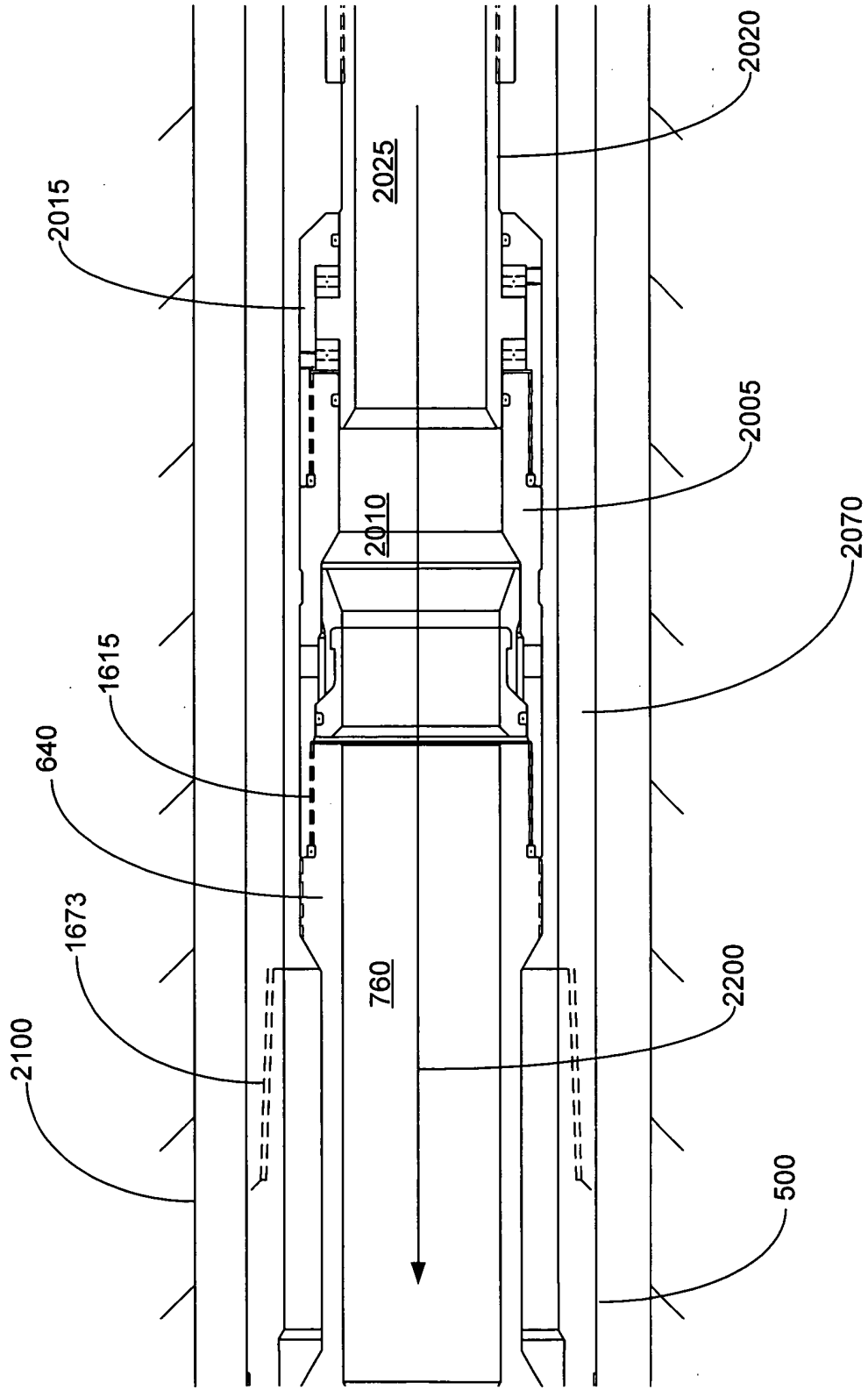


FIGURE 4F

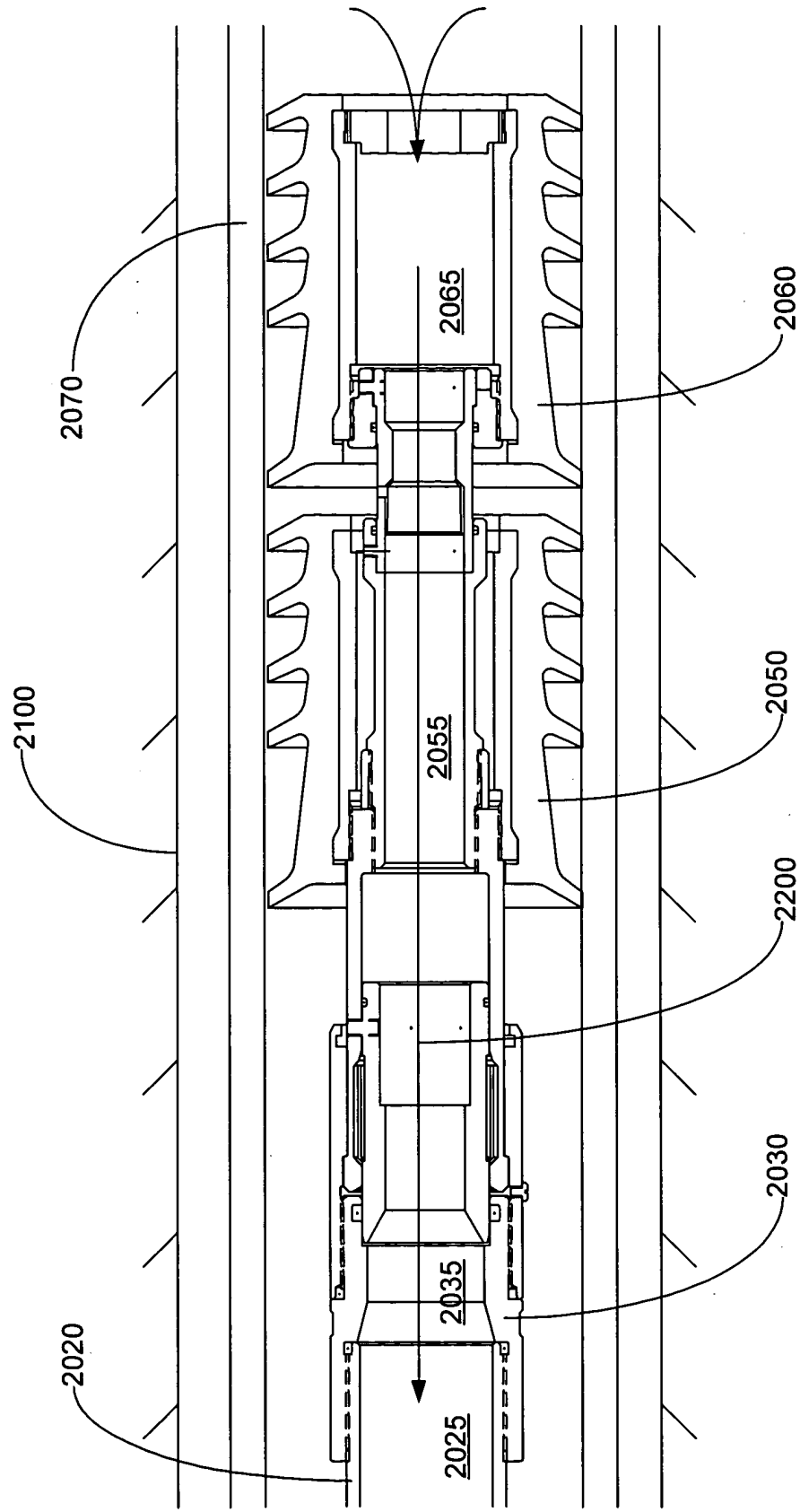


FIGURE 4G

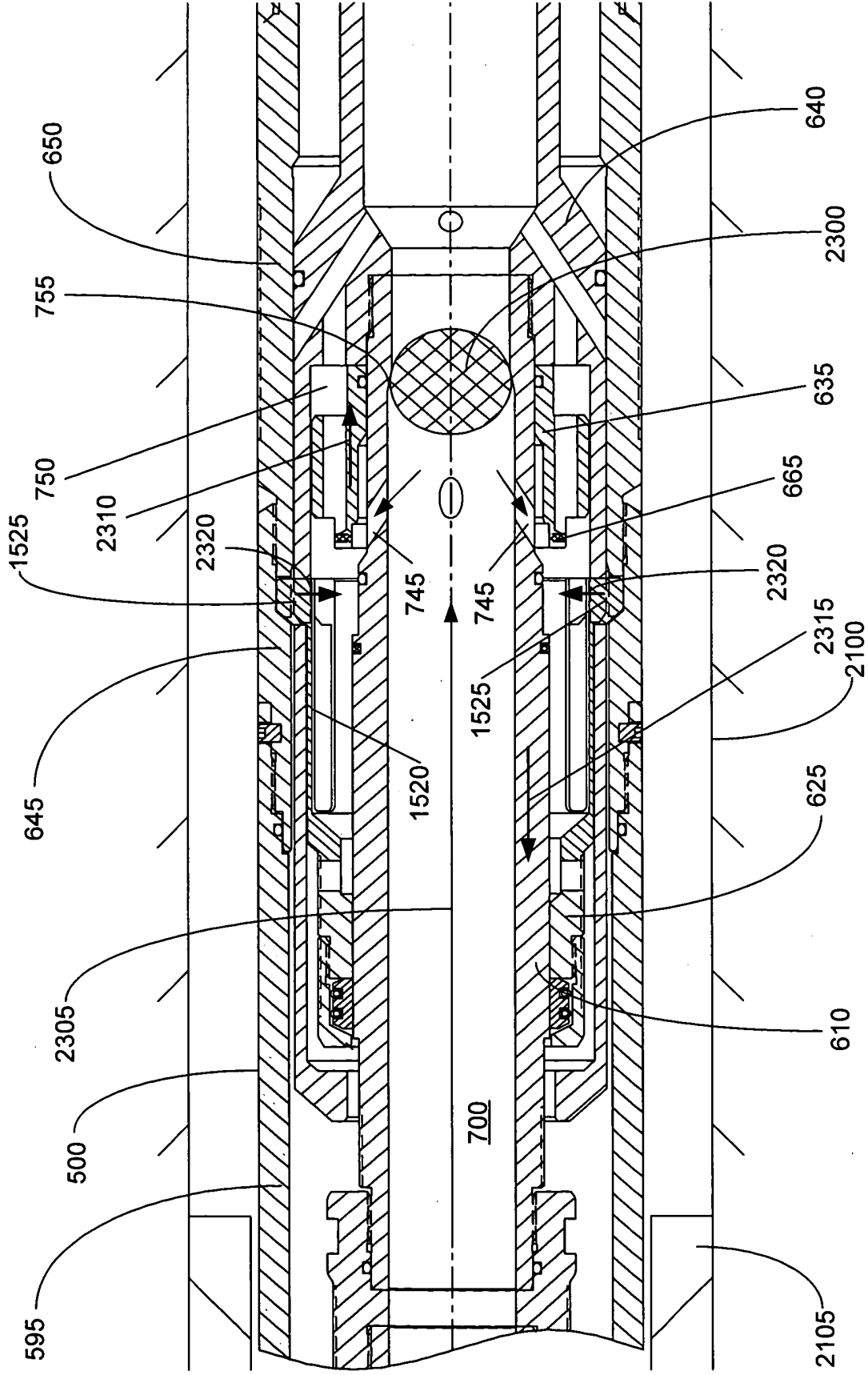


FIGURE 5A

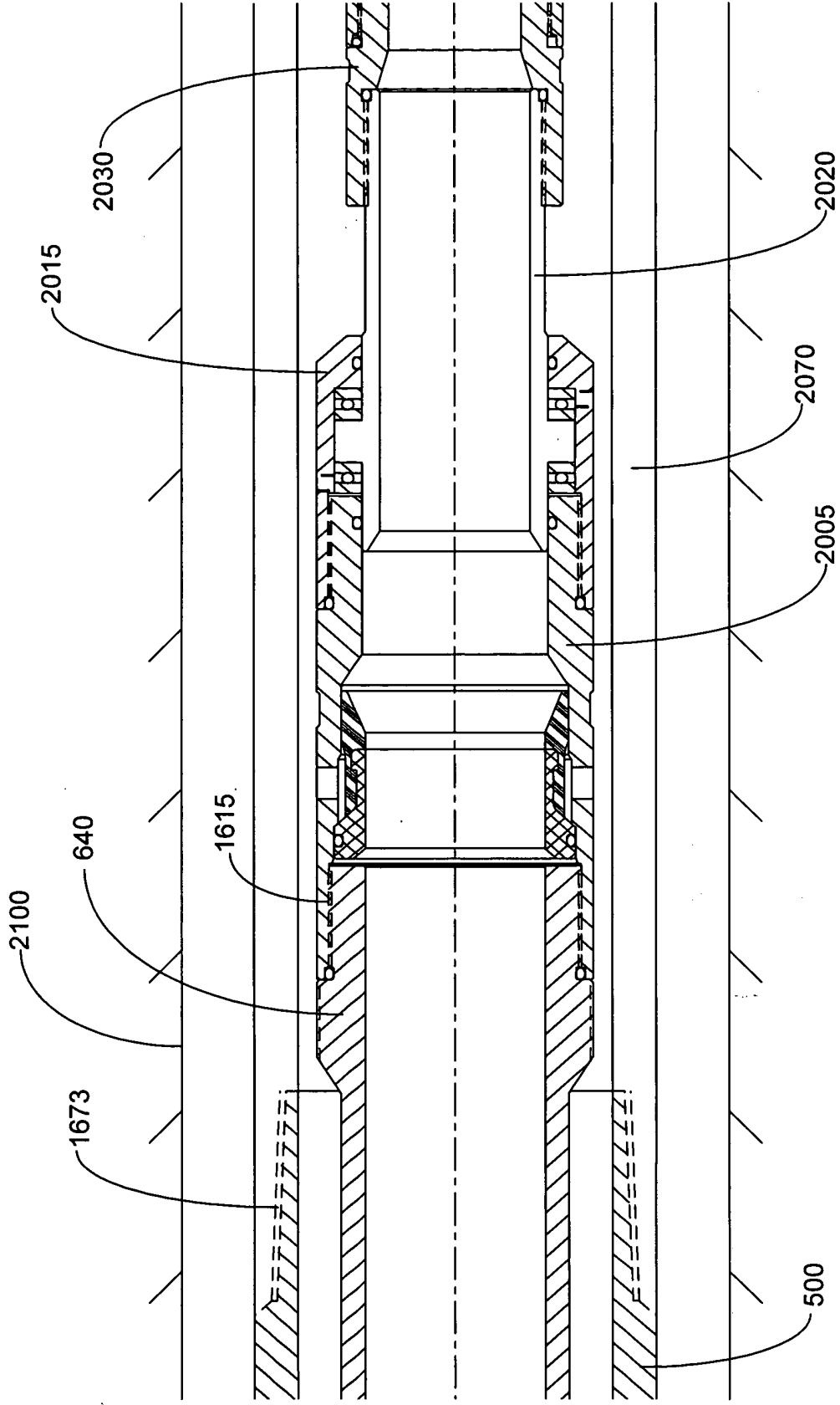


FIGURE 5B

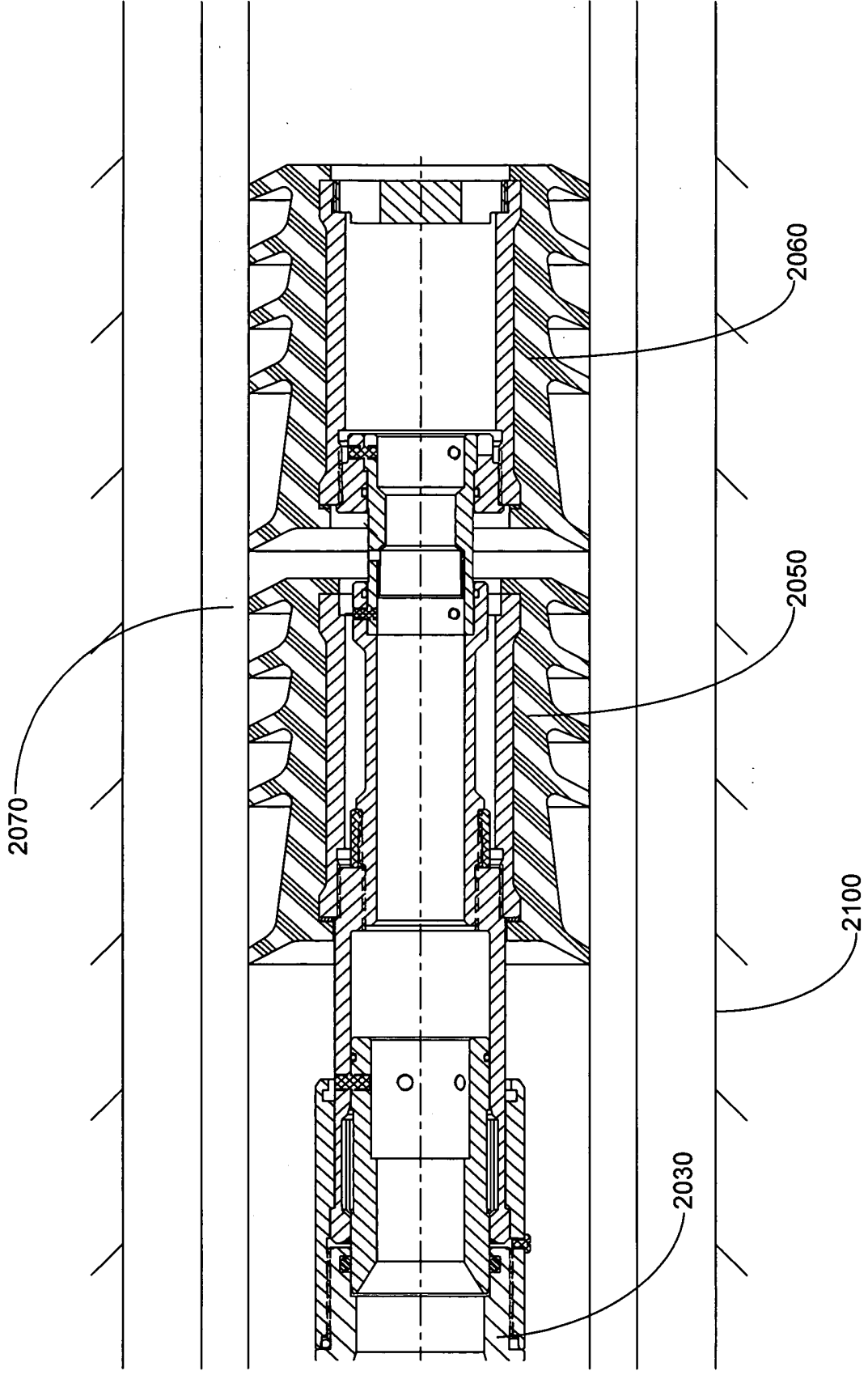


FIGURE 5C

FIG. 6A

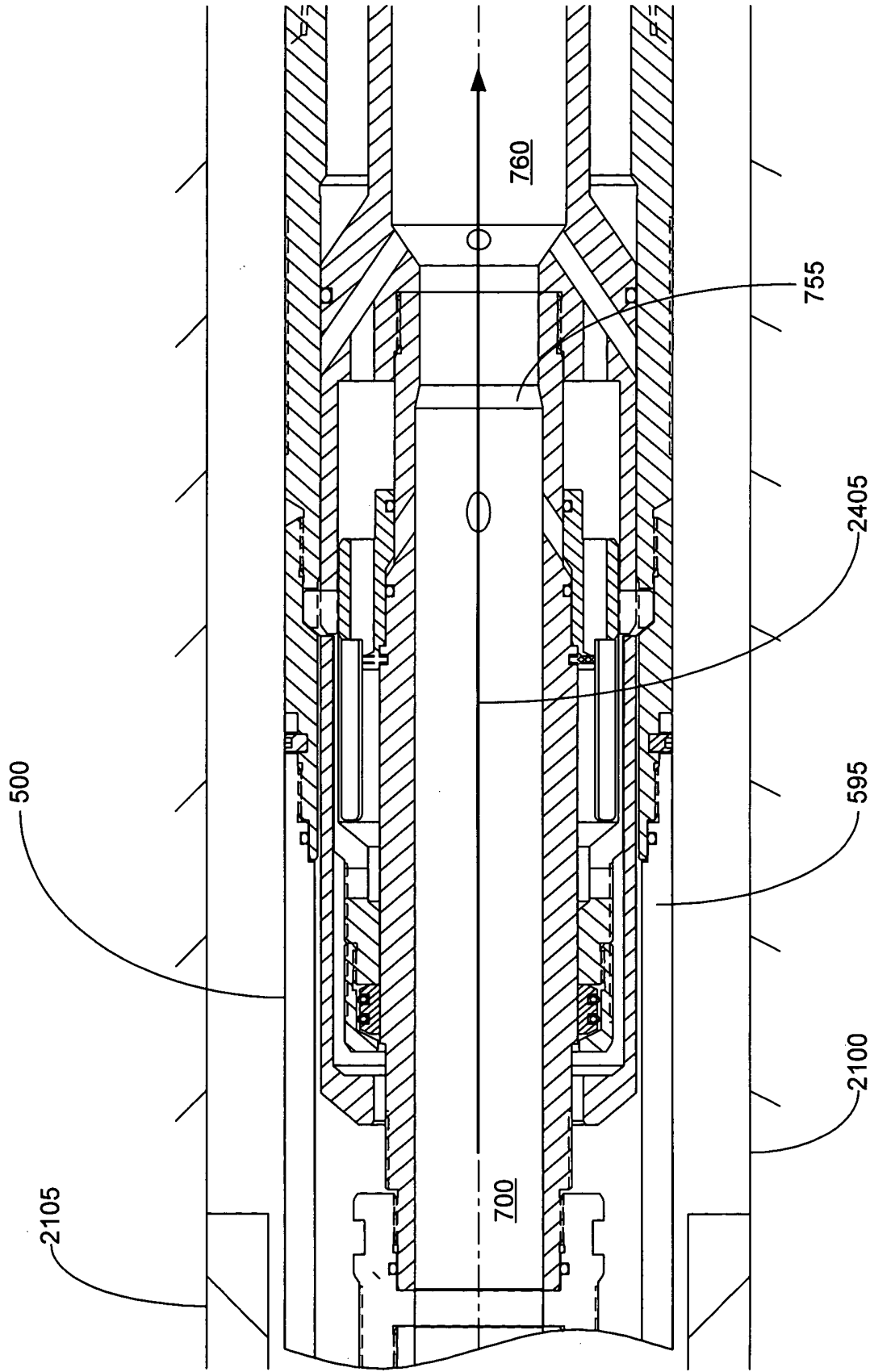


FIGURE 6A

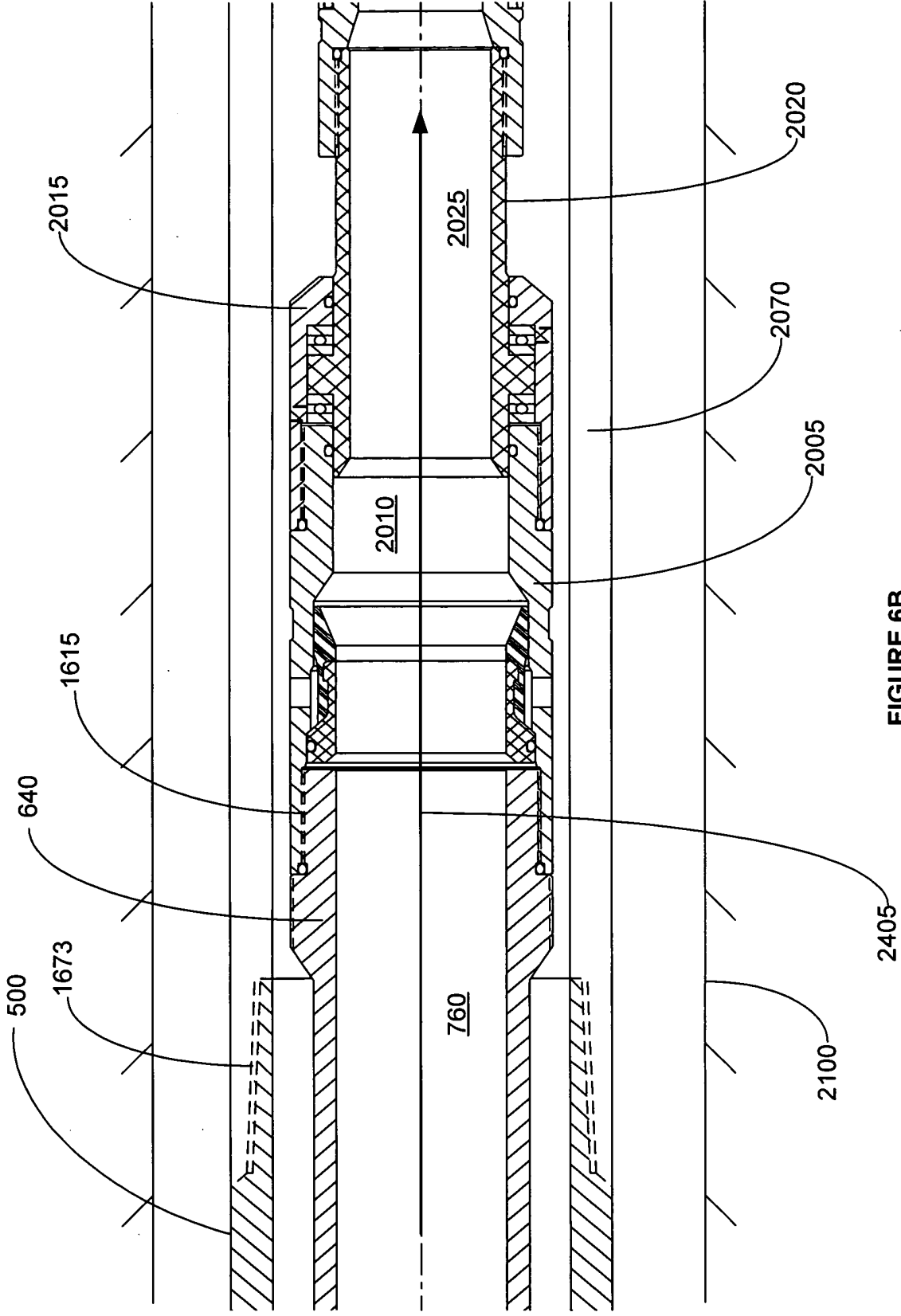


FIGURE 6B

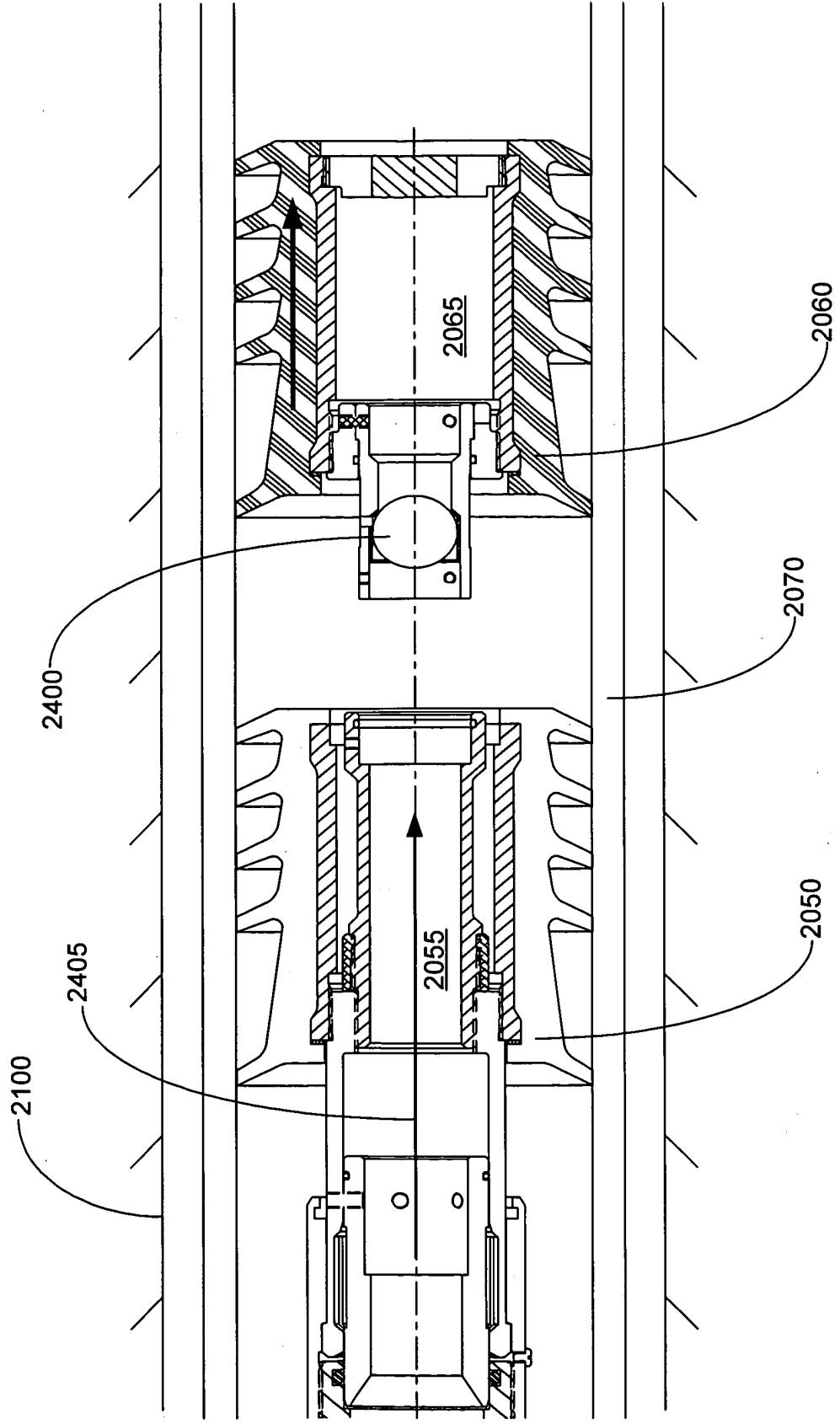


FIGURE 6C

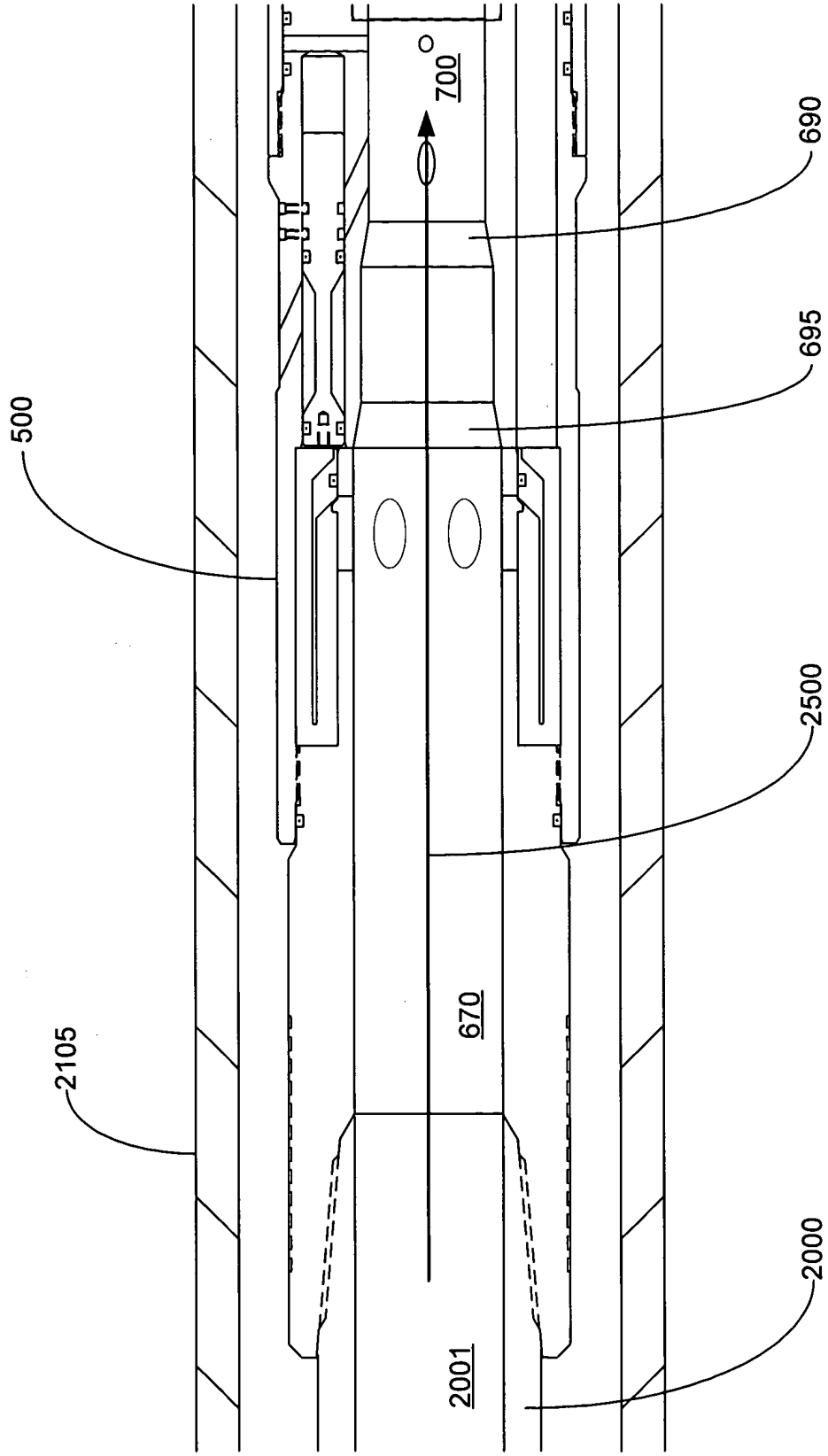


FIGURE 7A

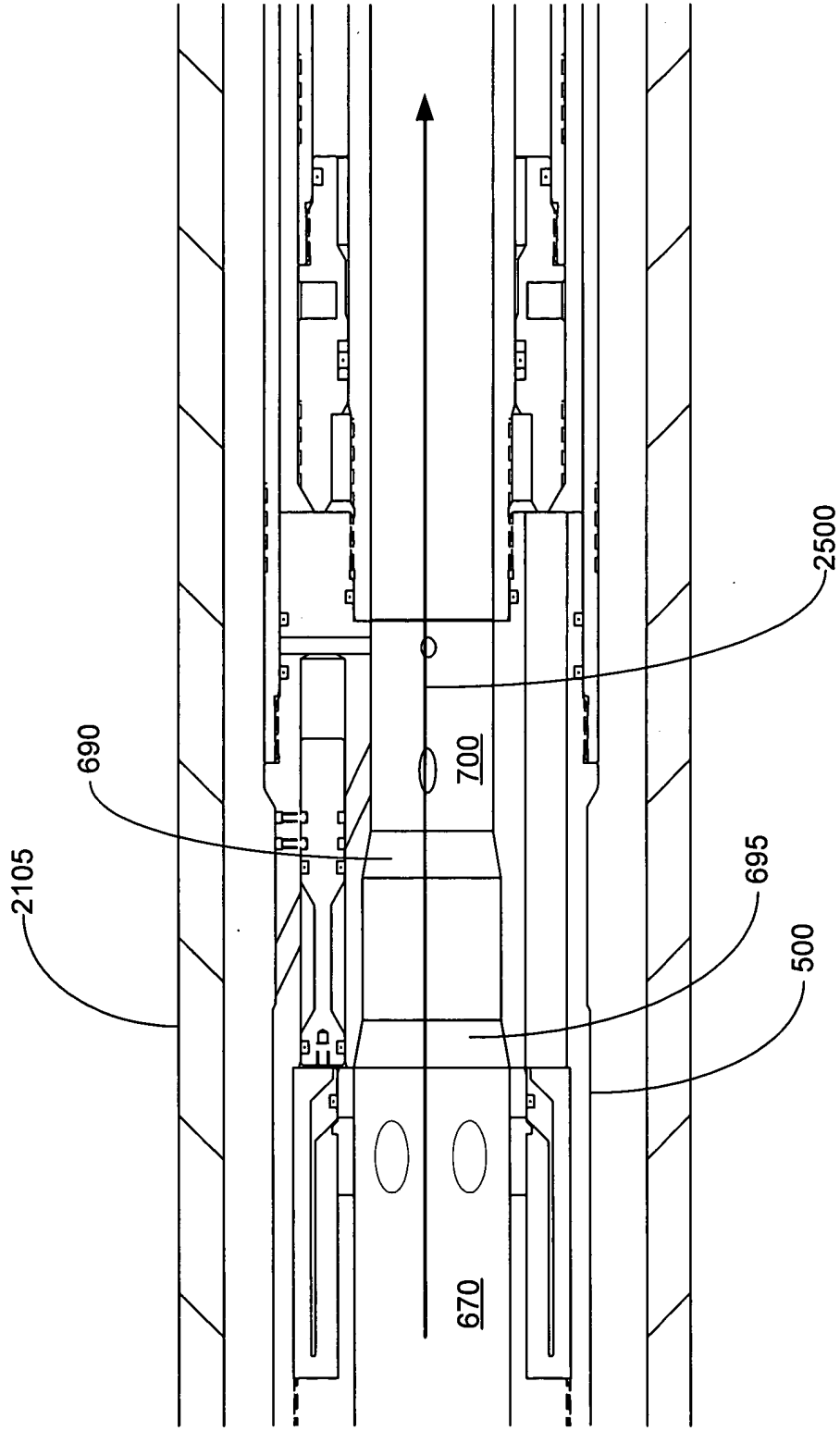


FIGURE 7B

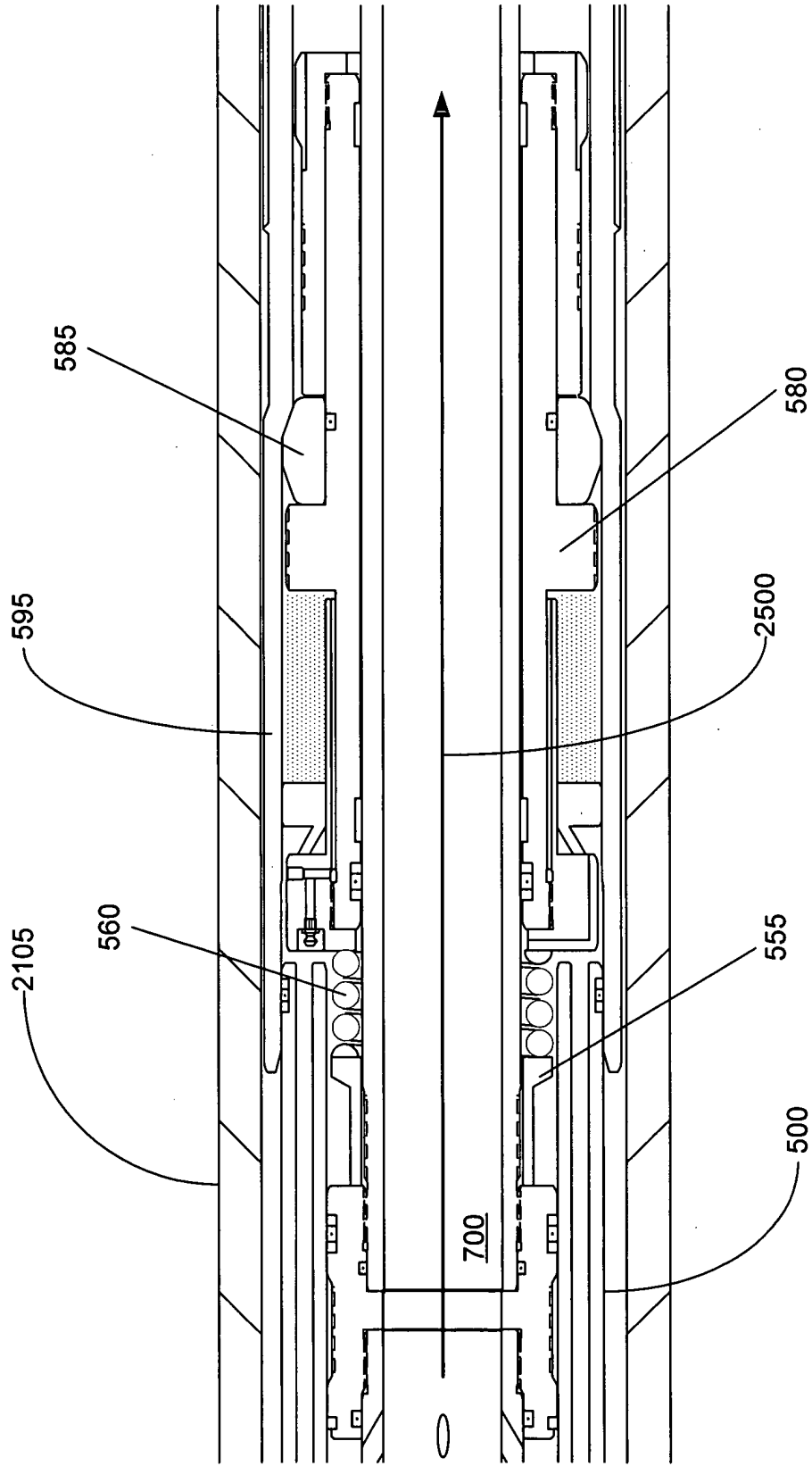


FIGURE 7C

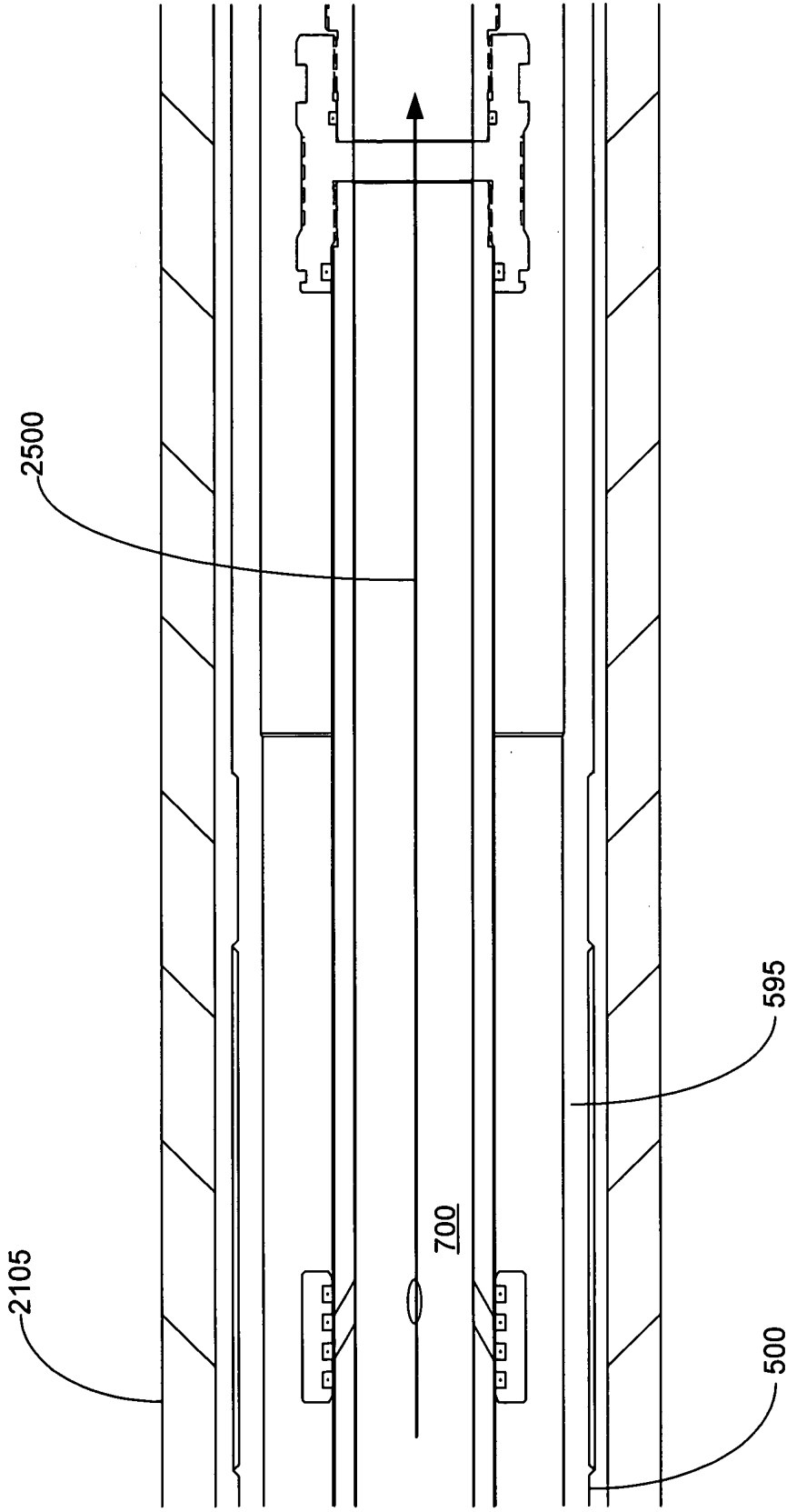


FIGURE 7D

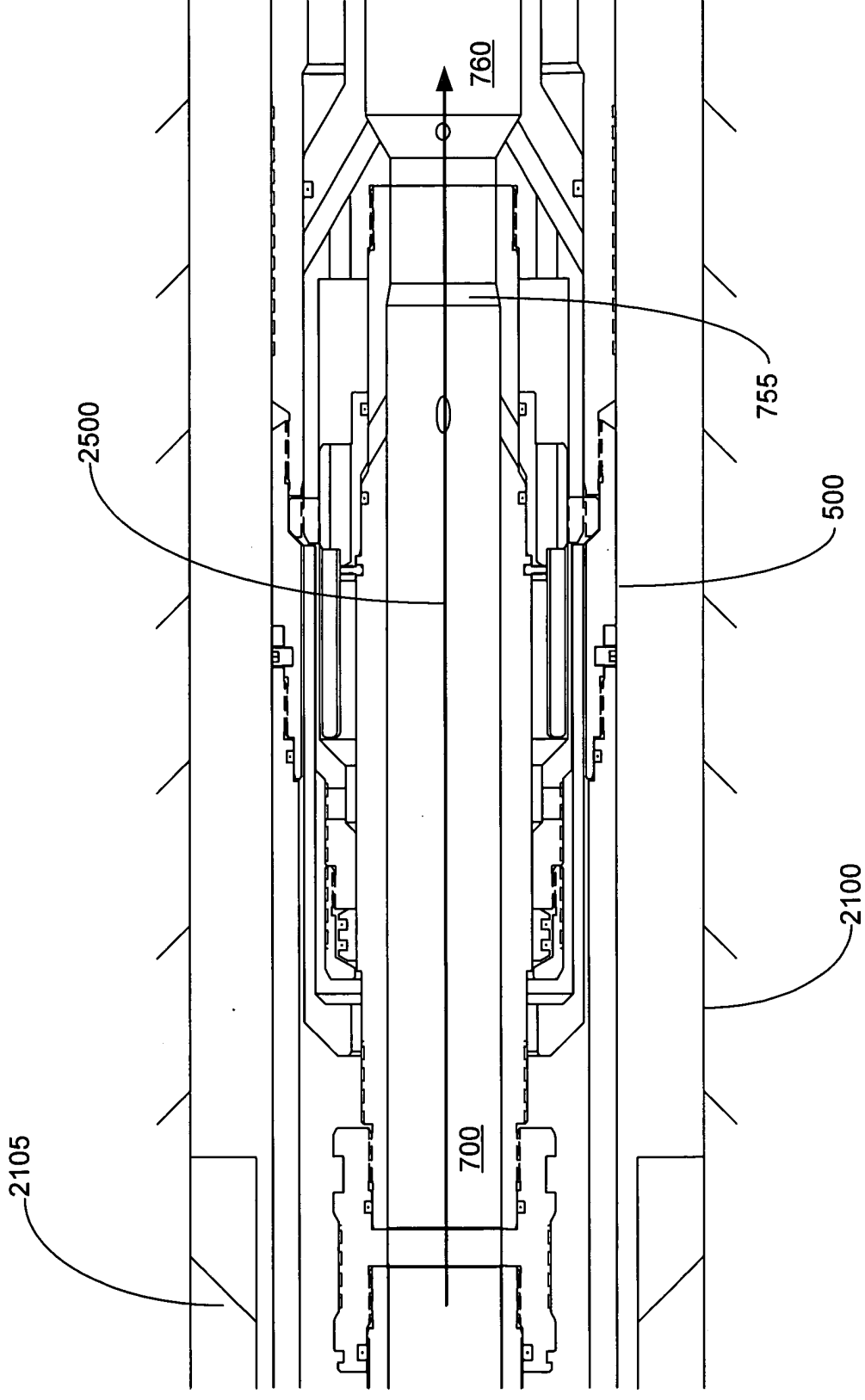


FIGURE 7E

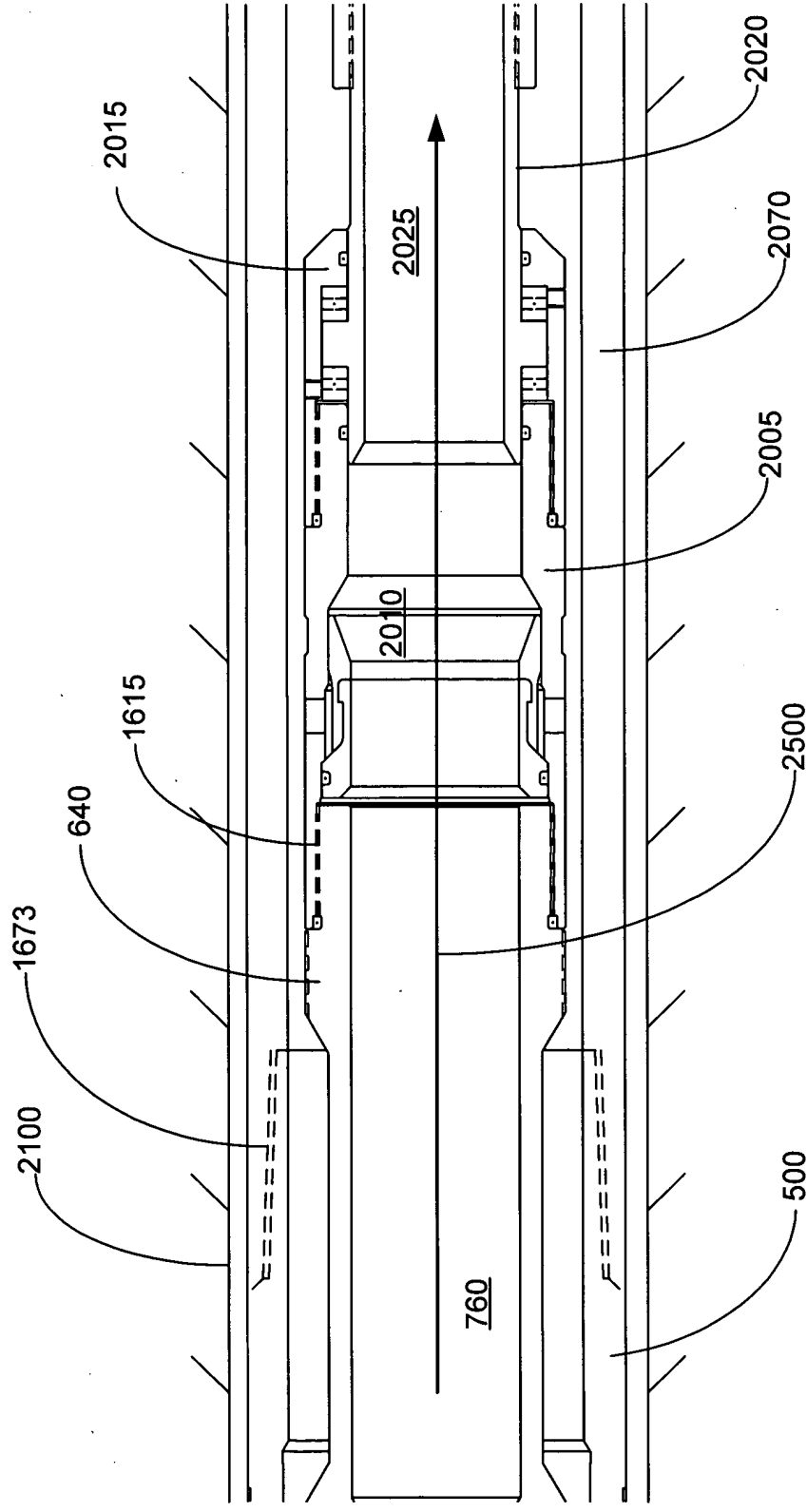


FIGURE 7F

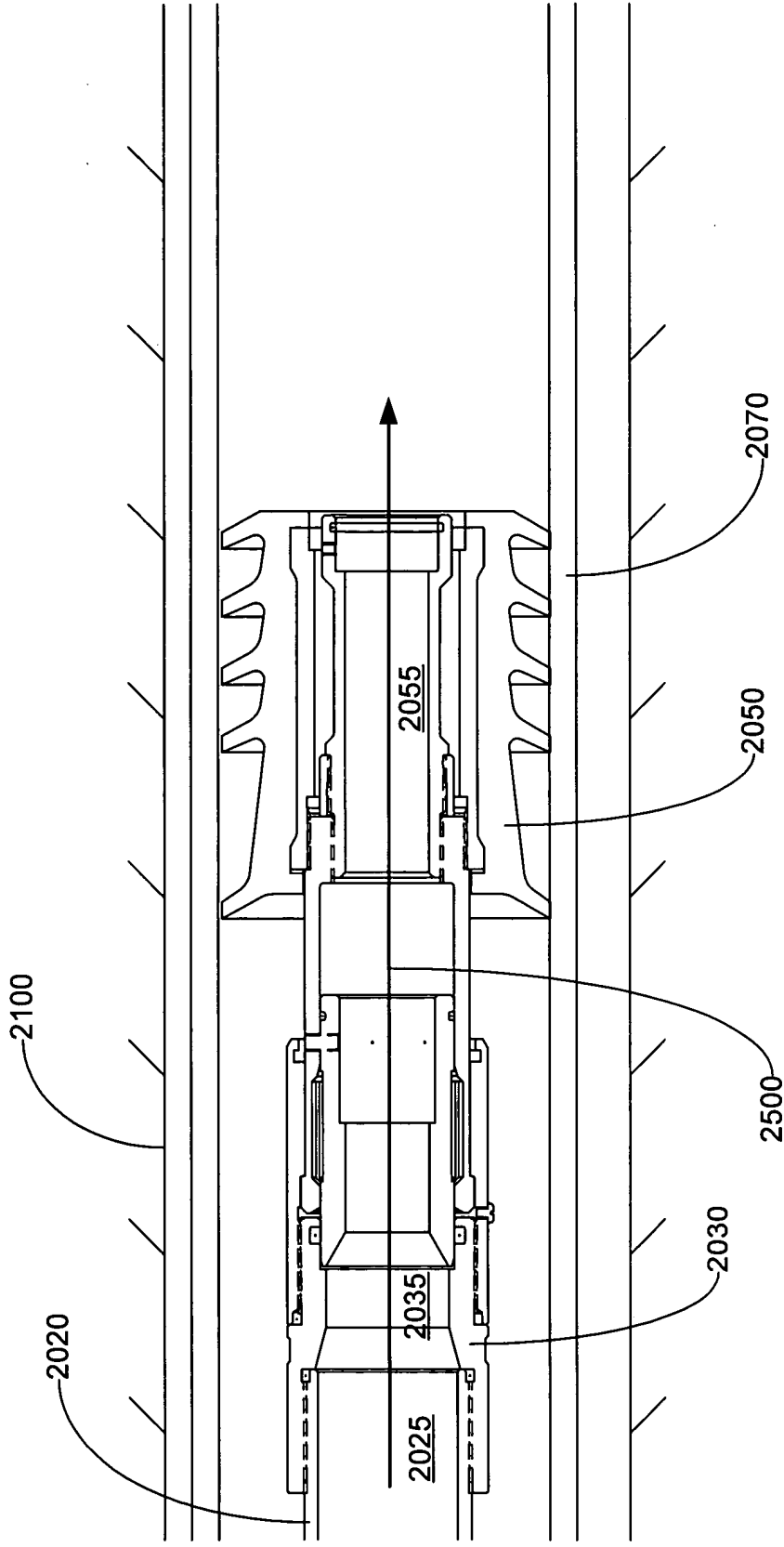


FIGURE 7G

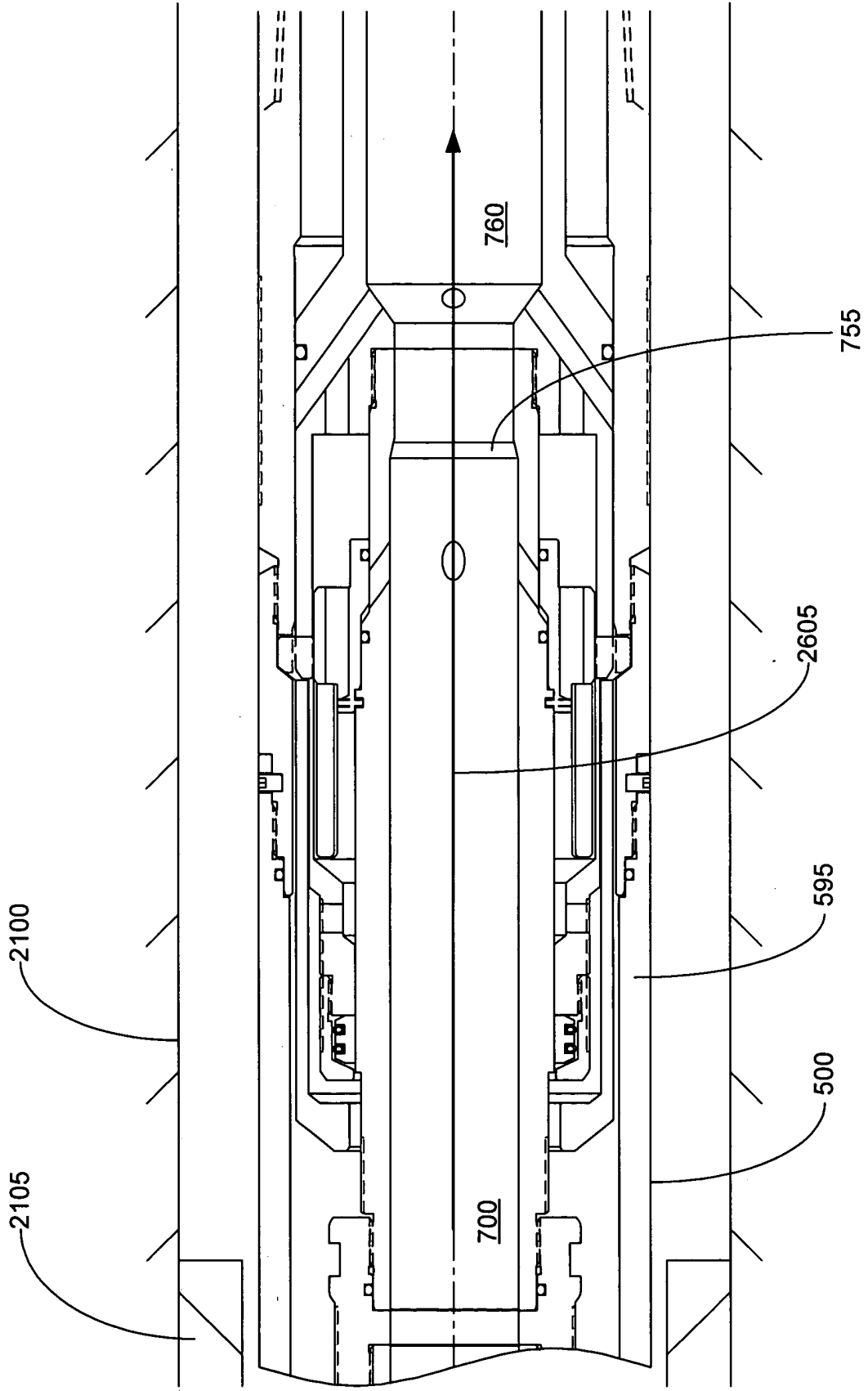


FIGURE 8A

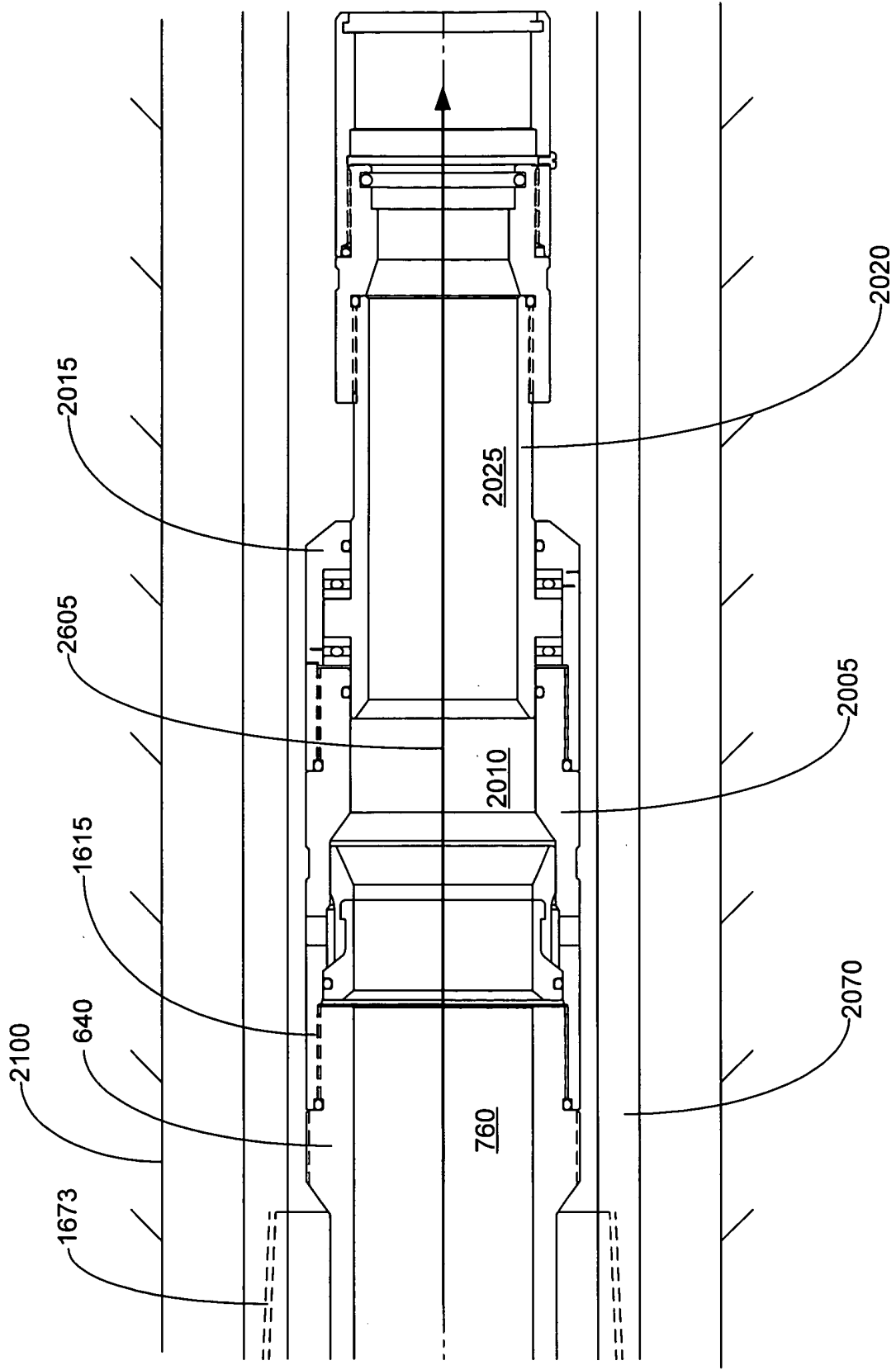


FIGURE 8B

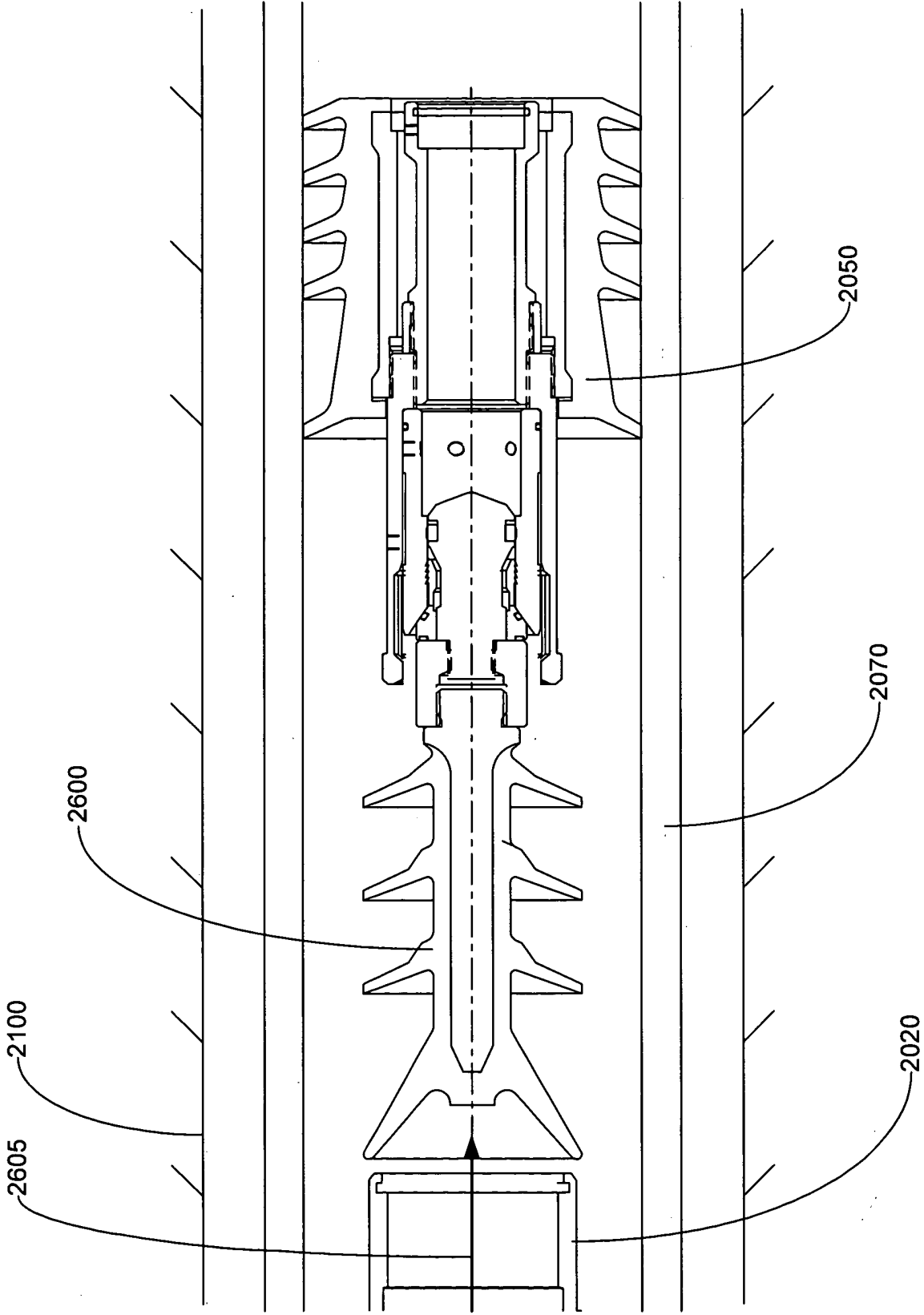


FIGURE 8C

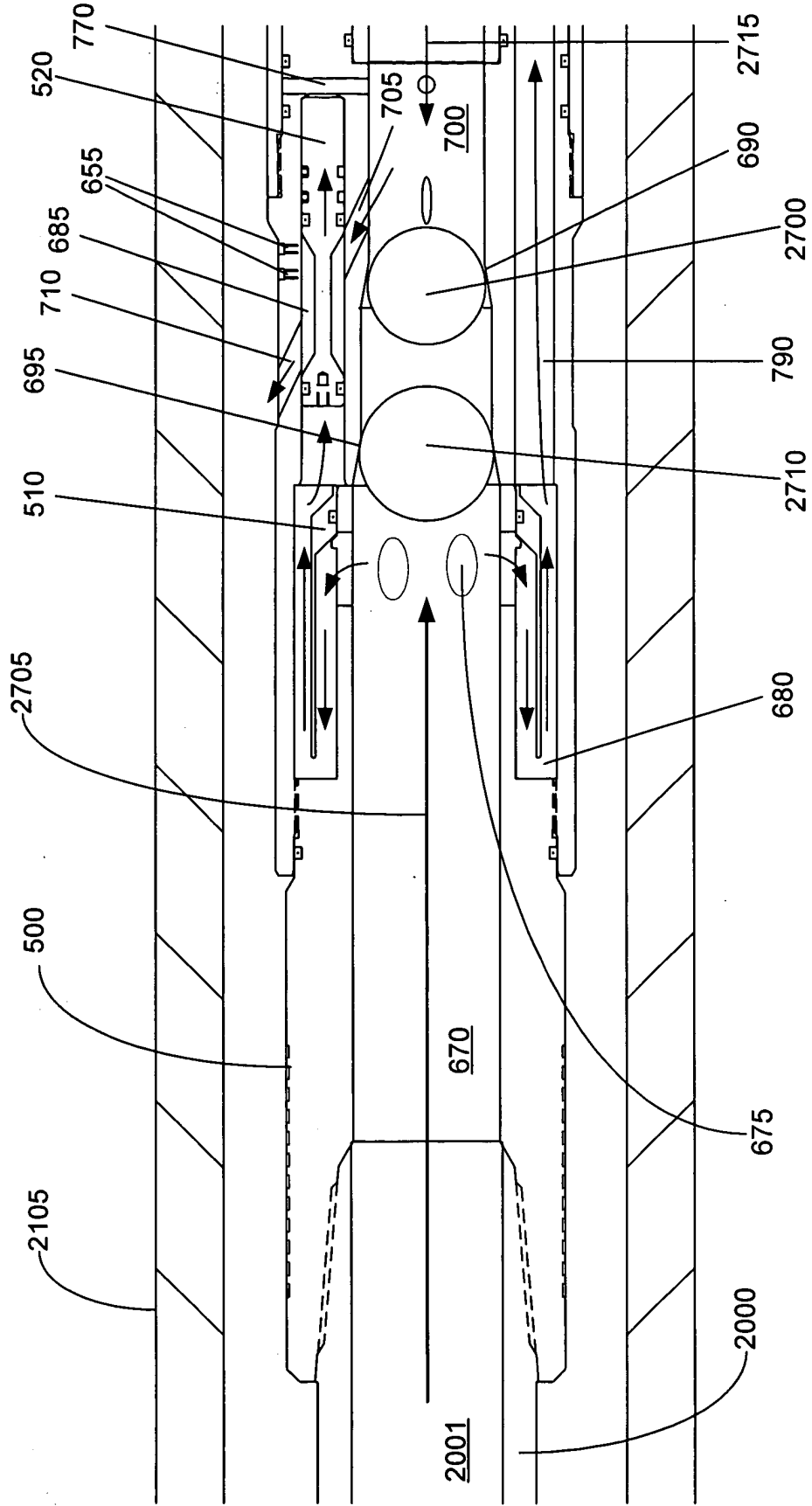


FIGURE 9A

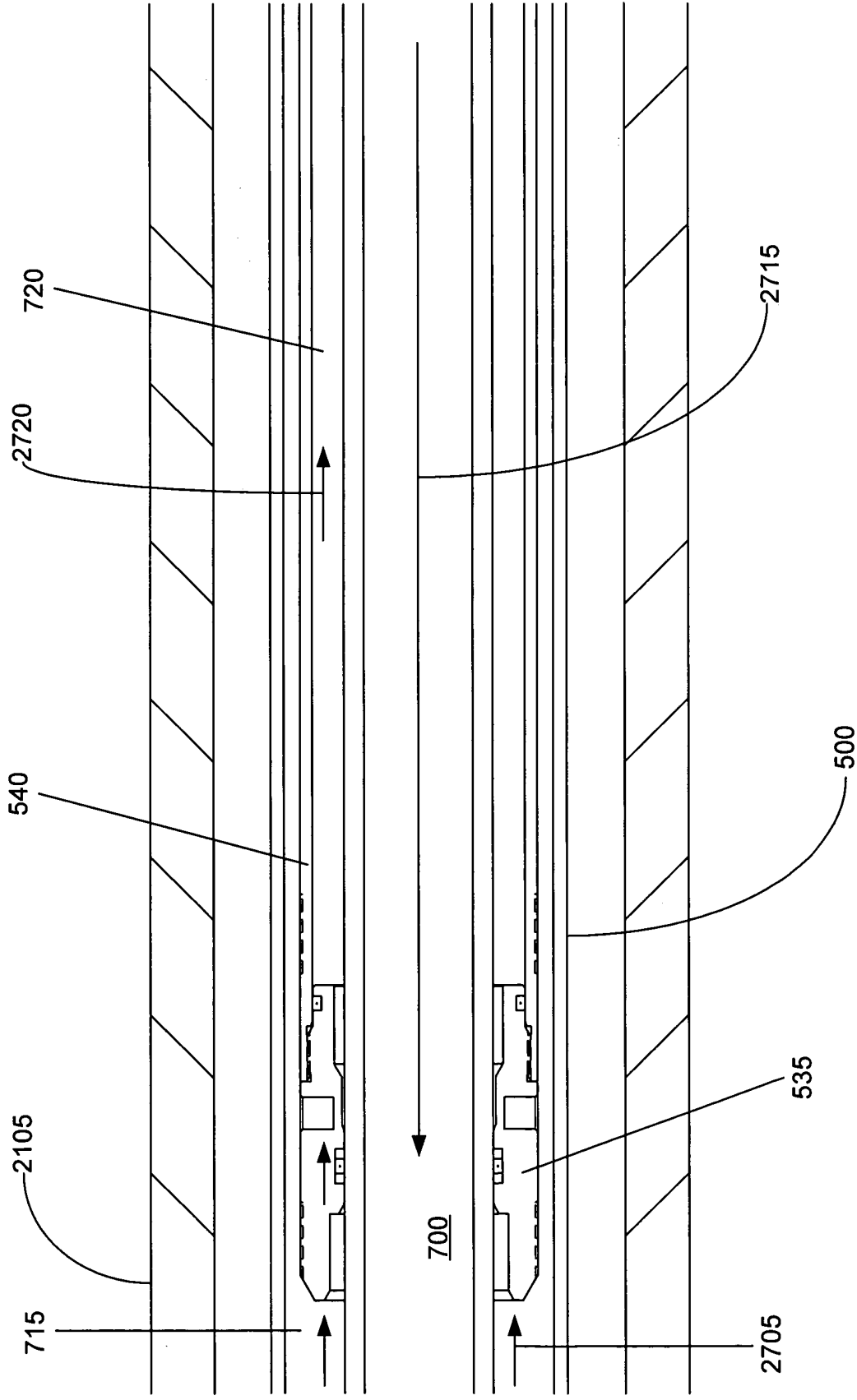


FIGURE 9B

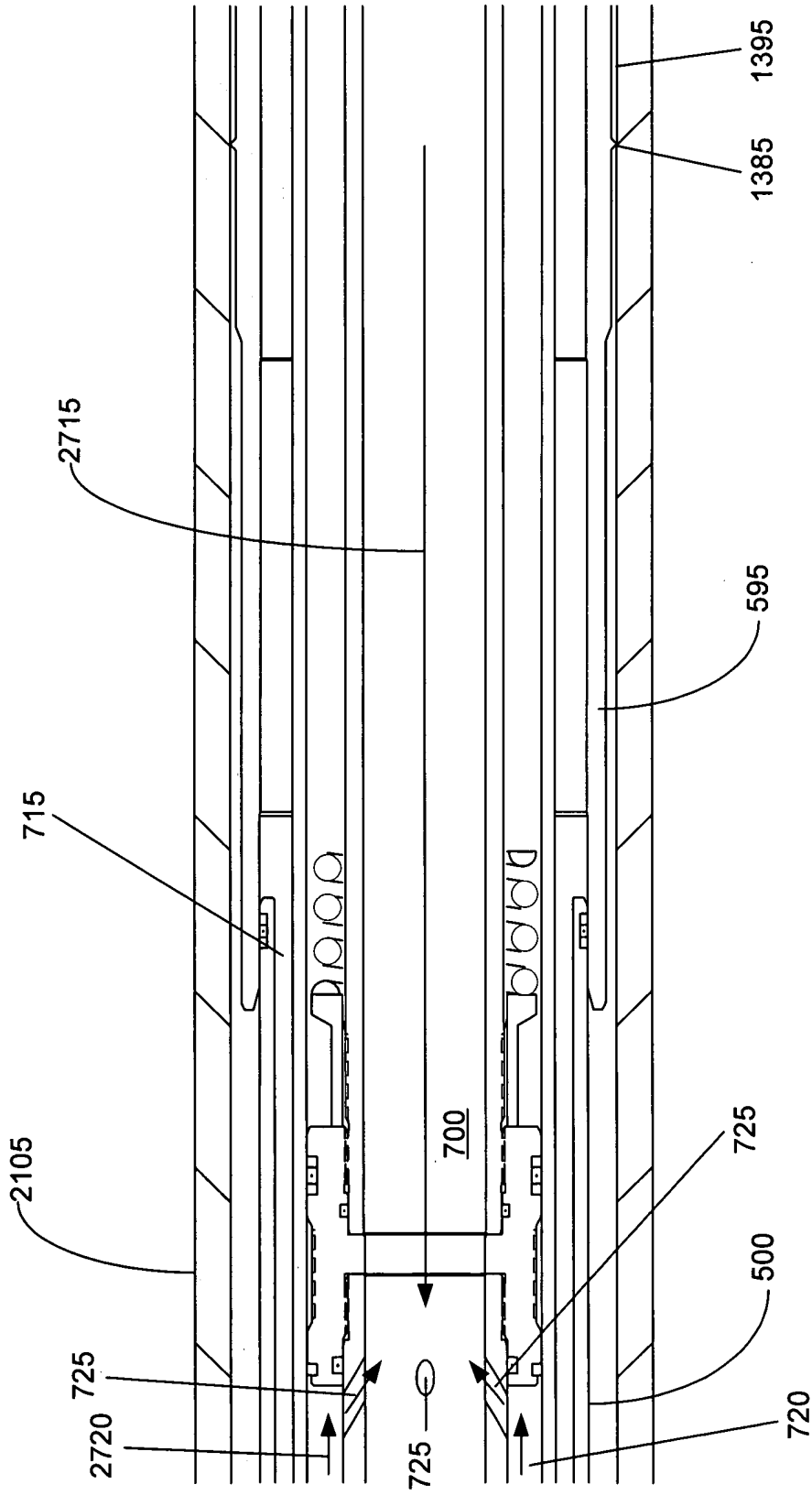


FIGURE 9C

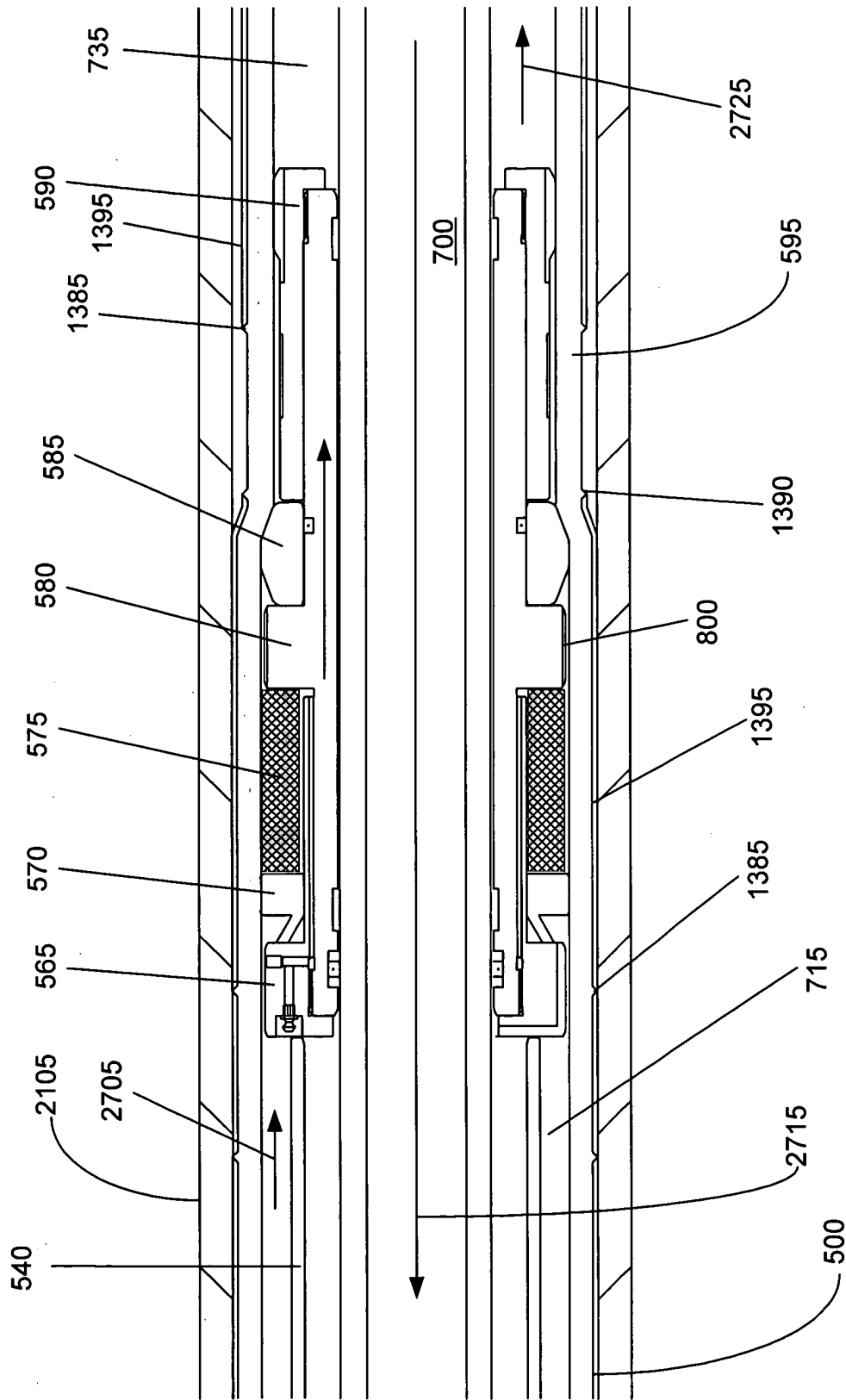


FIGURE 9D

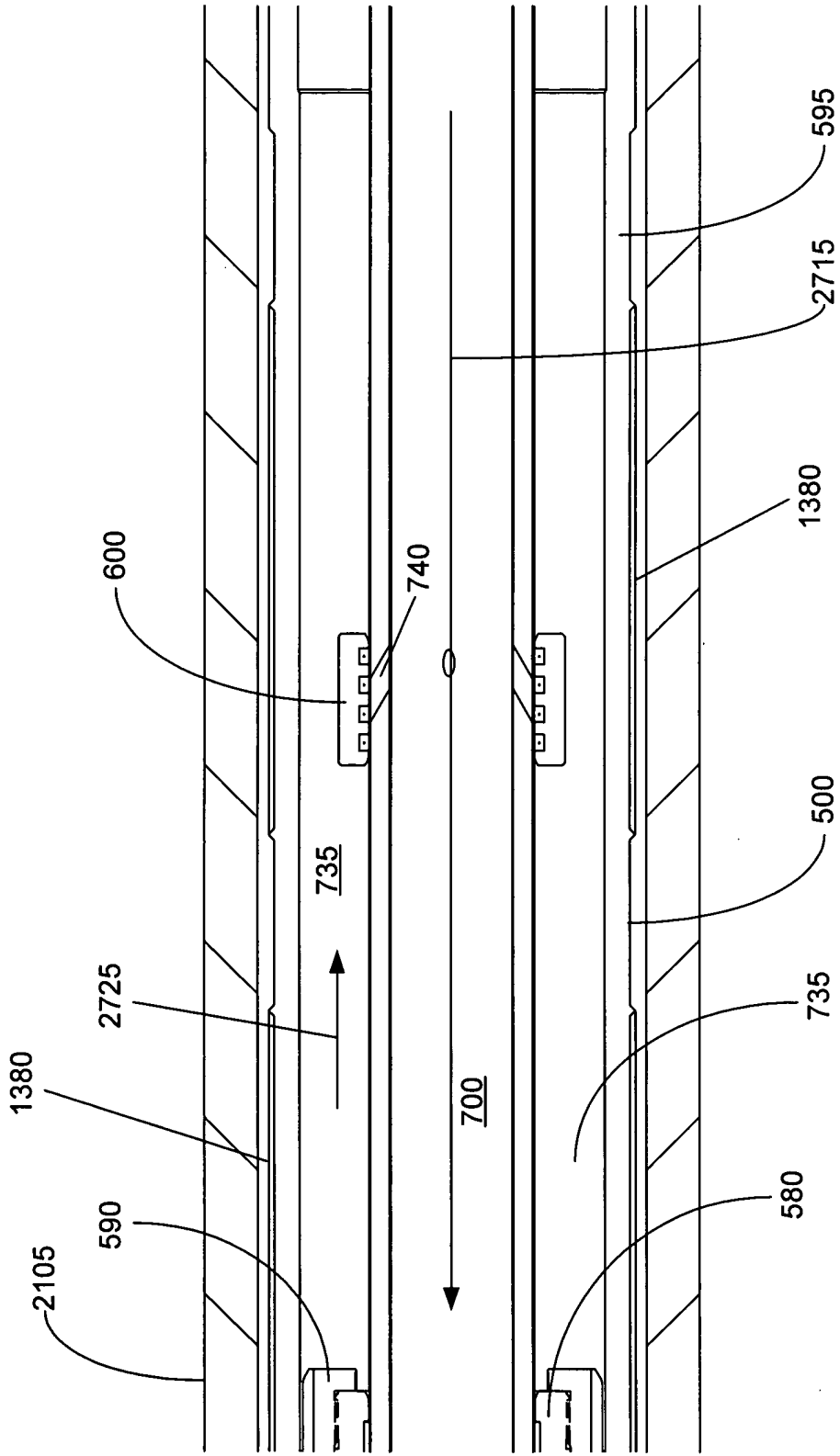


FIGURE 9E

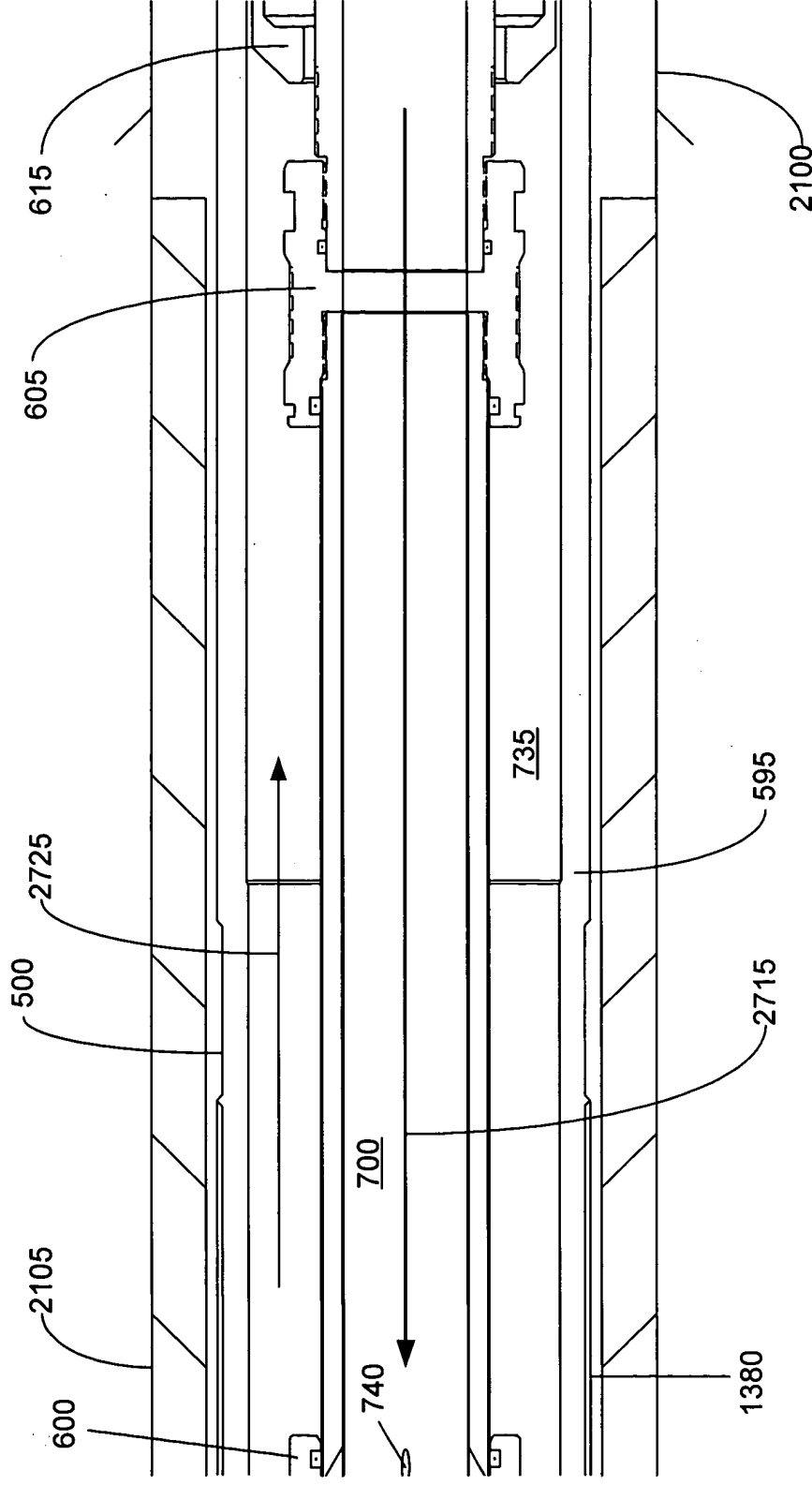


FIGURE 9F

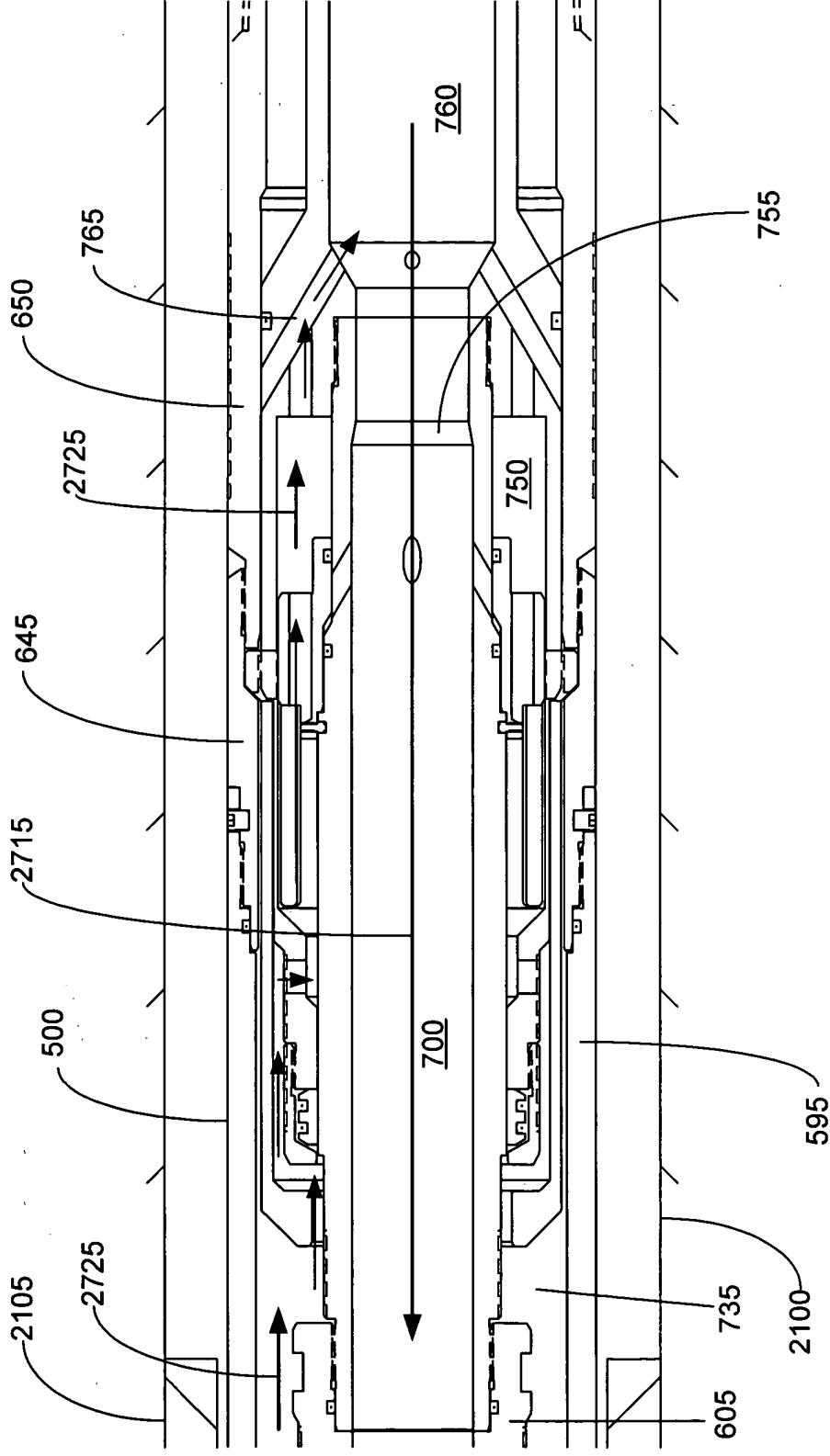


FIGURE 9G

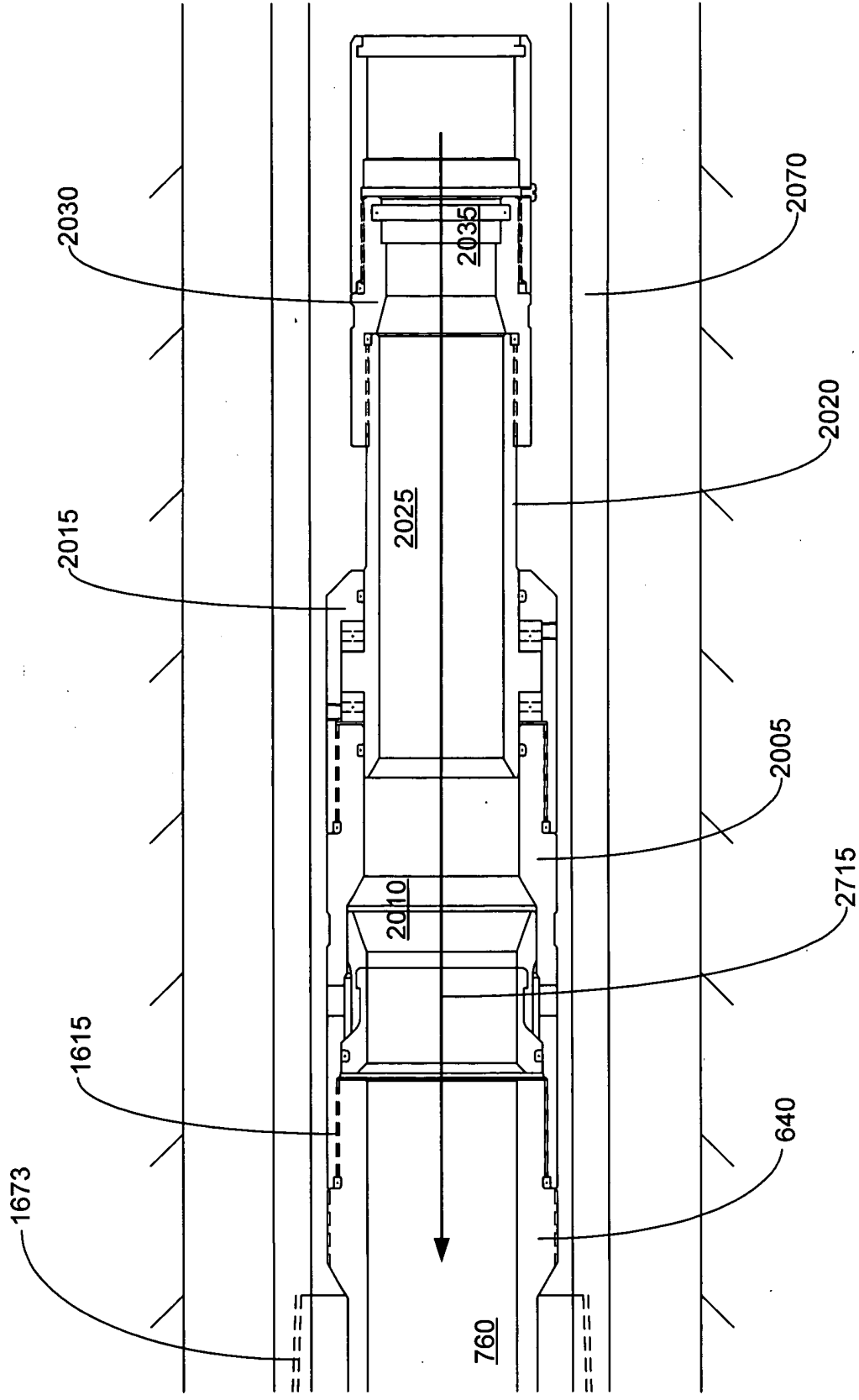


FIGURE 9H

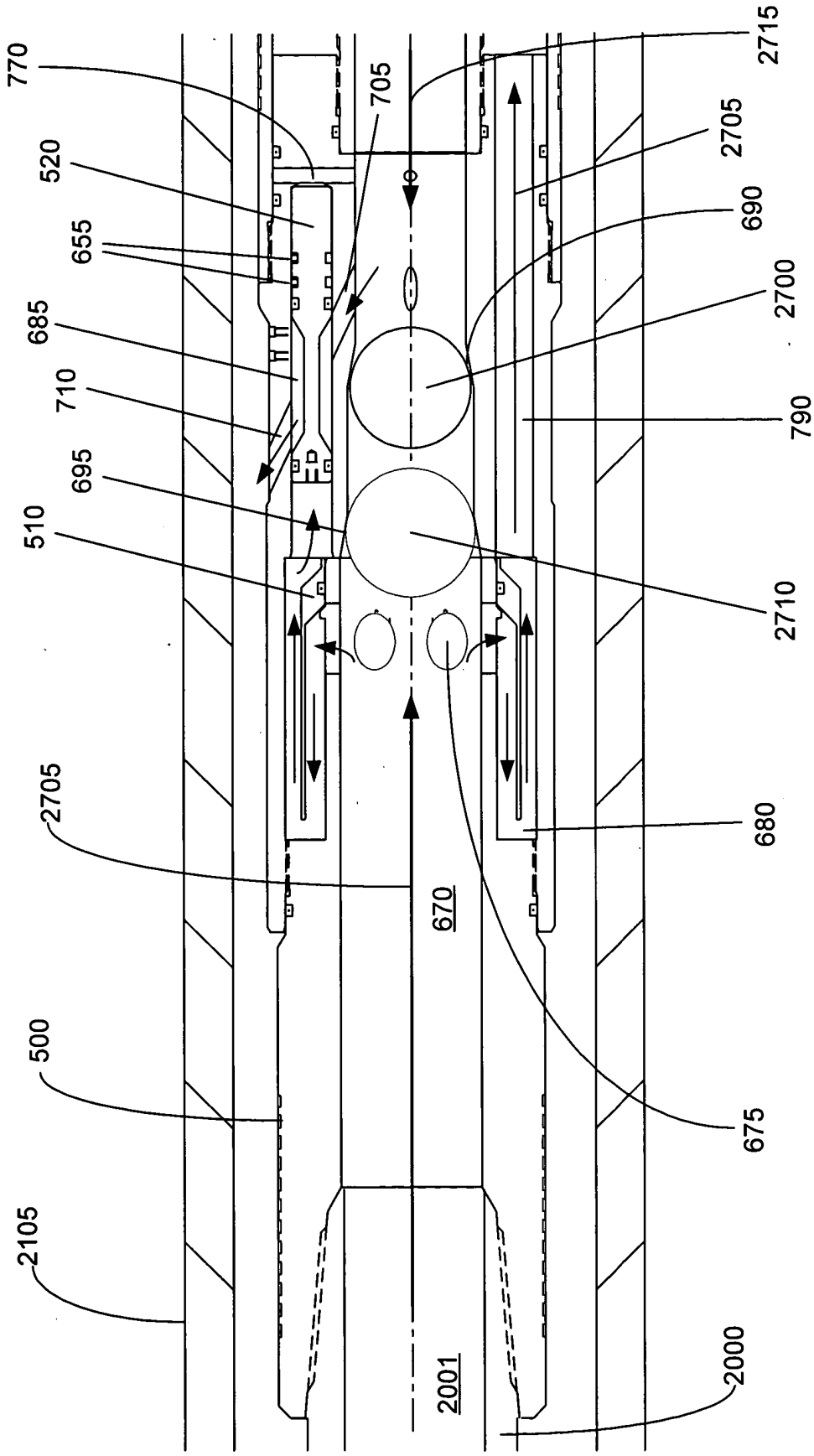


FIGURE 10A

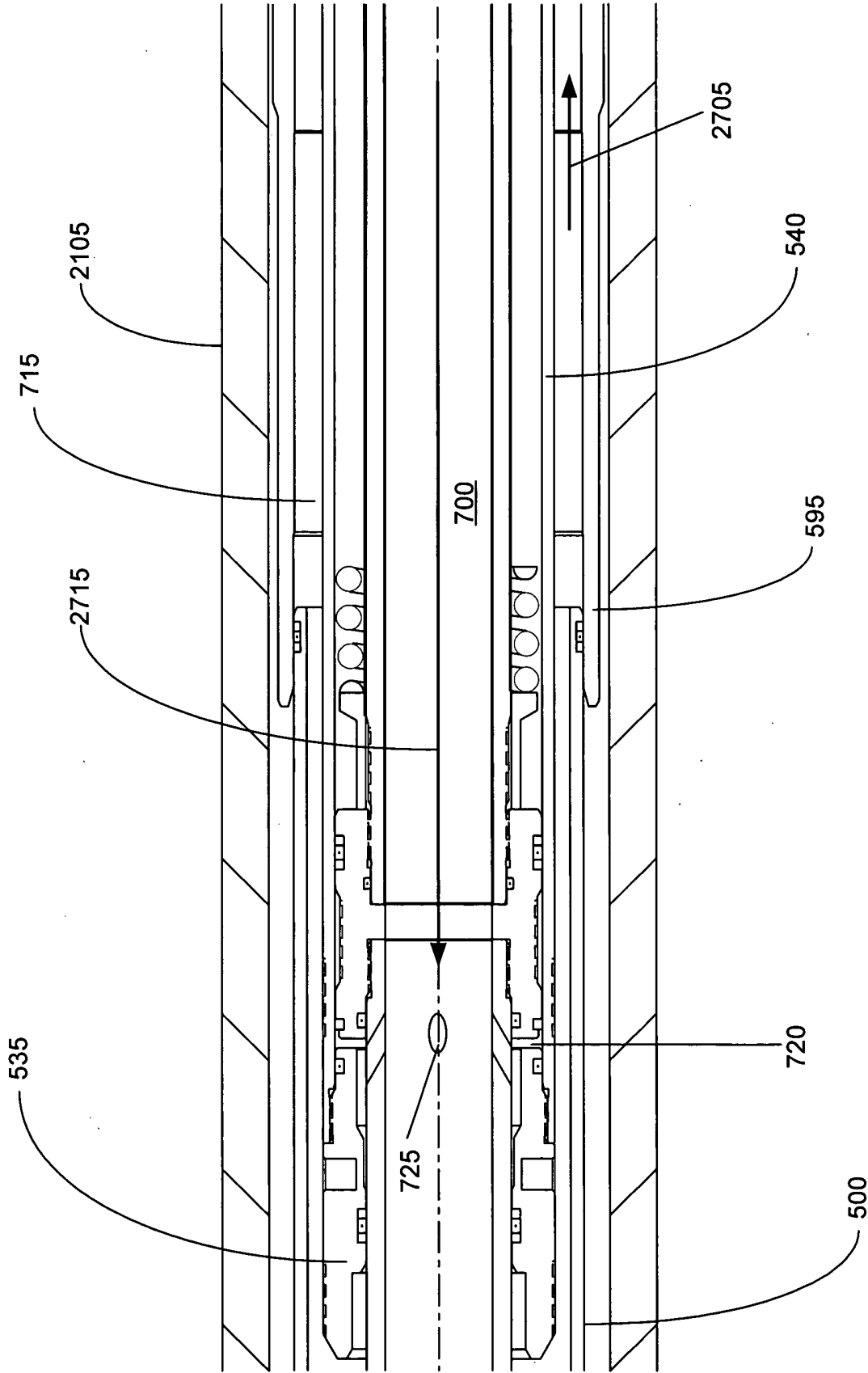


FIGURE 10B

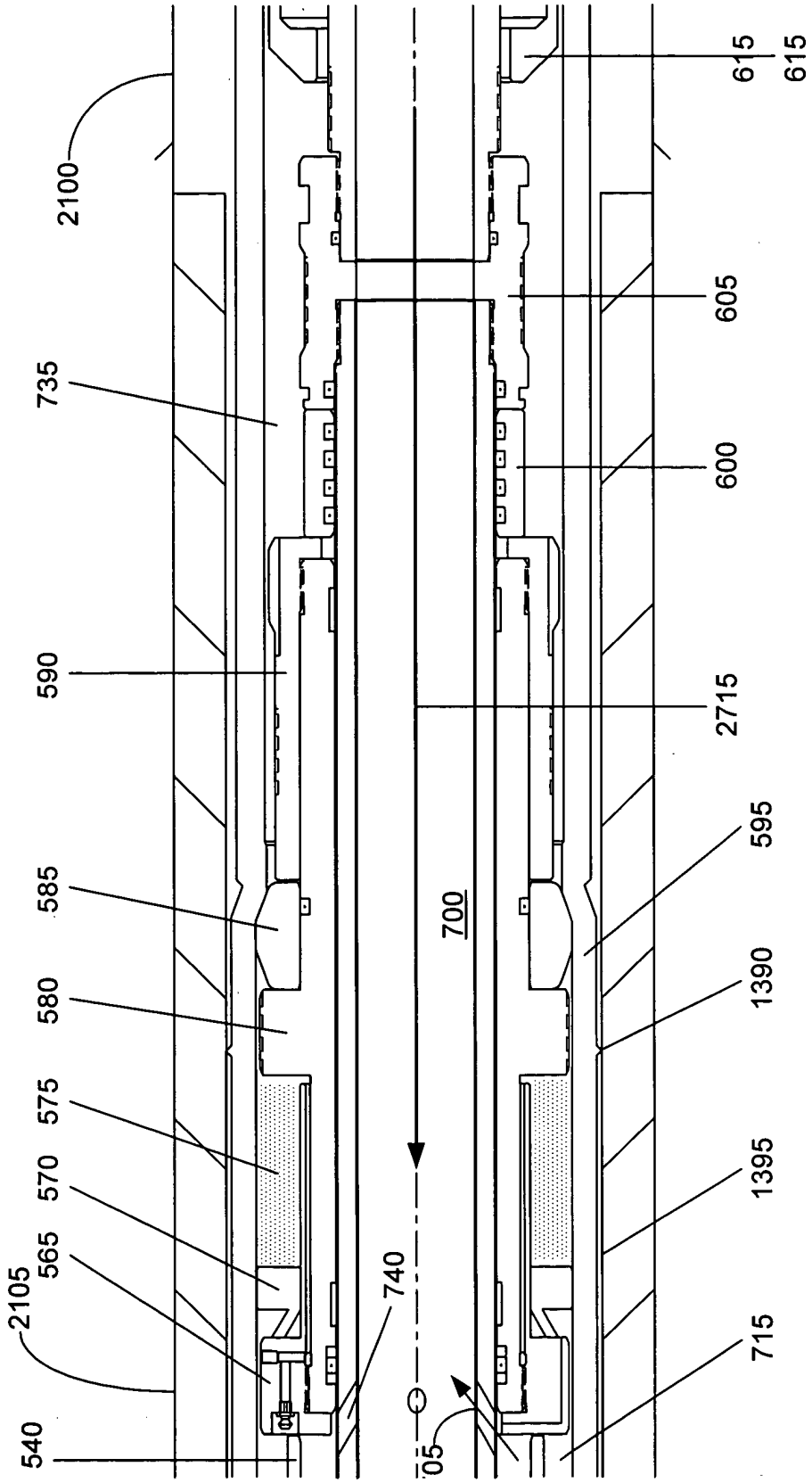


FIGURE 10C

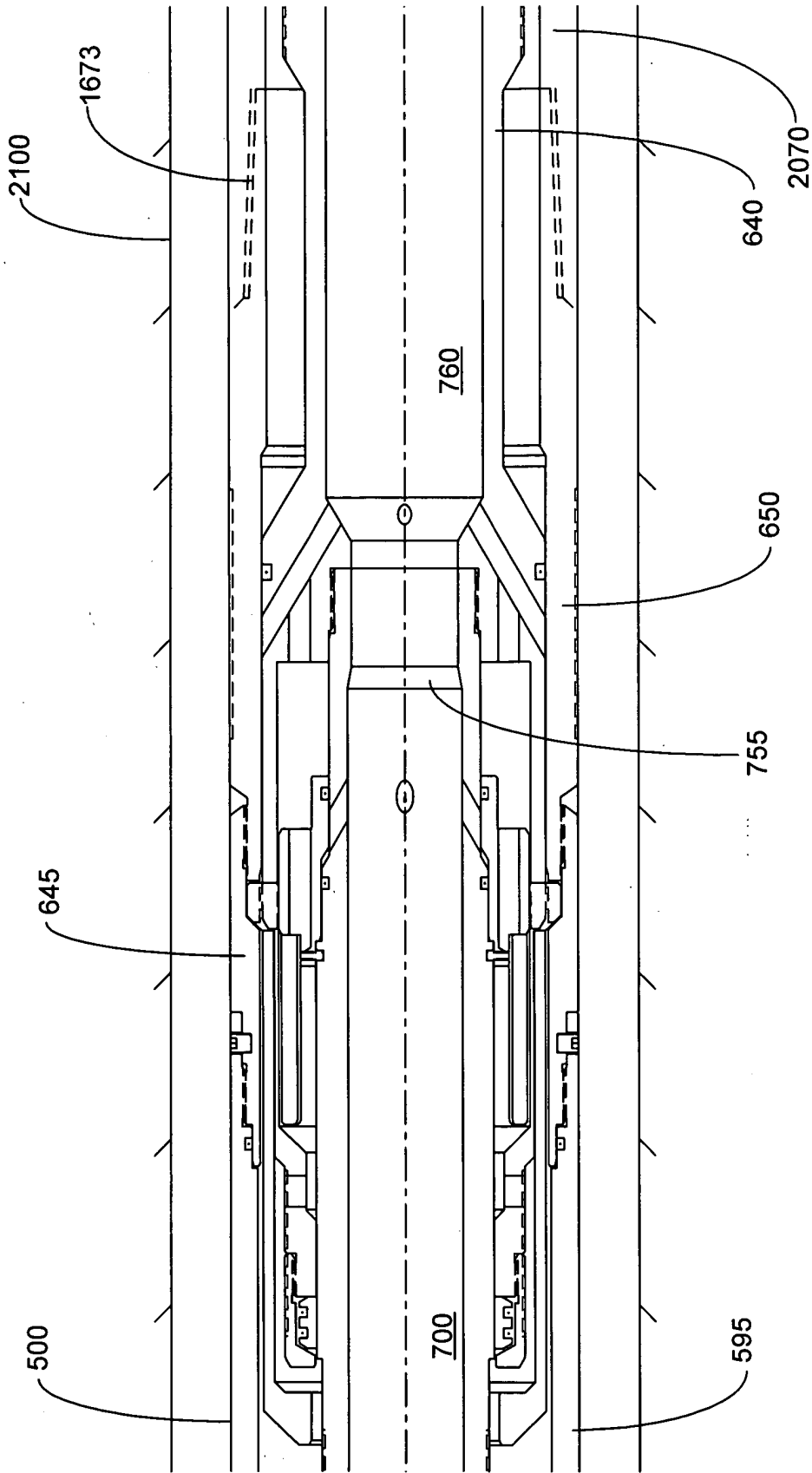


FIGURE 10D

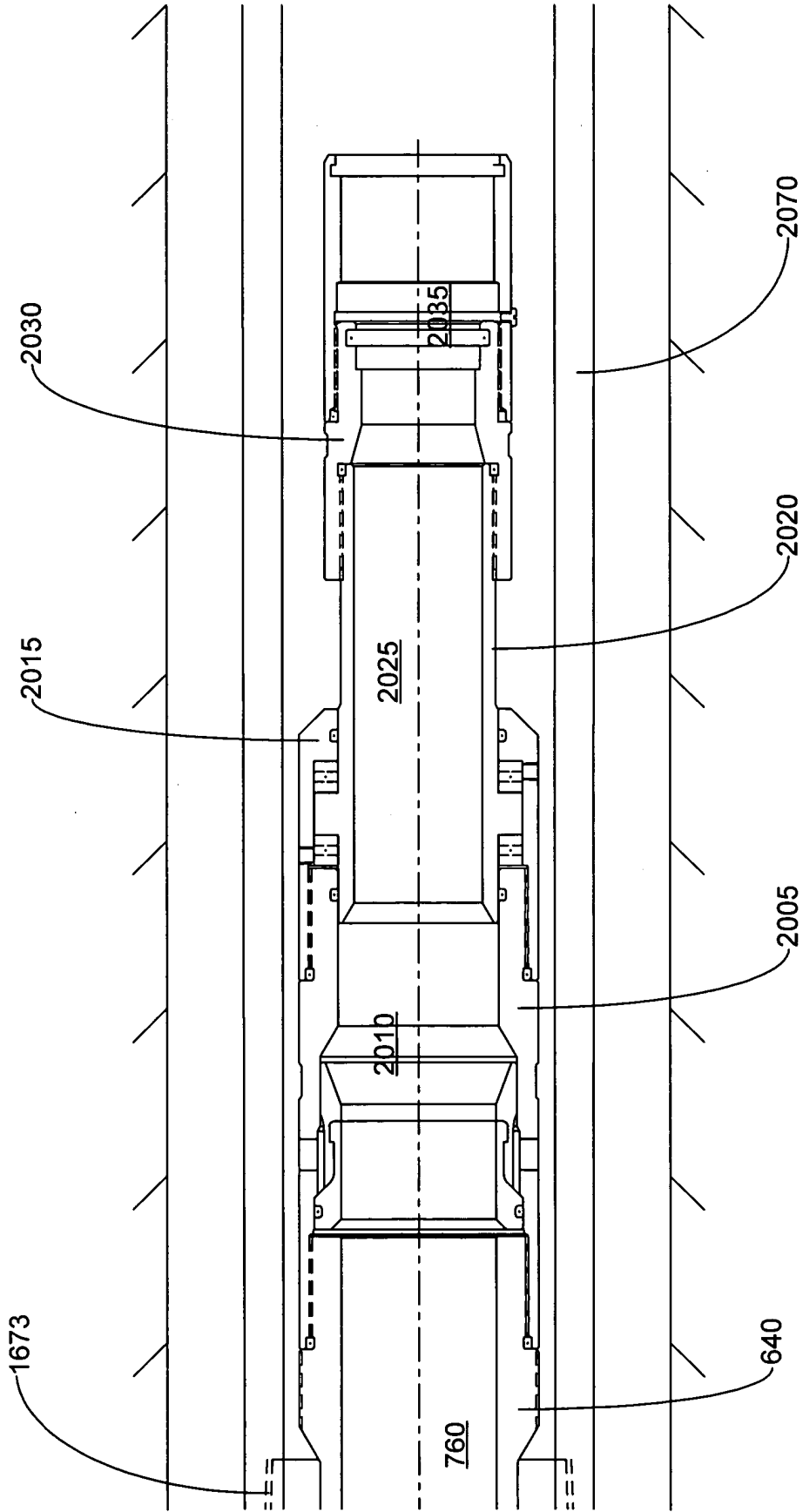


FIGURE 10E

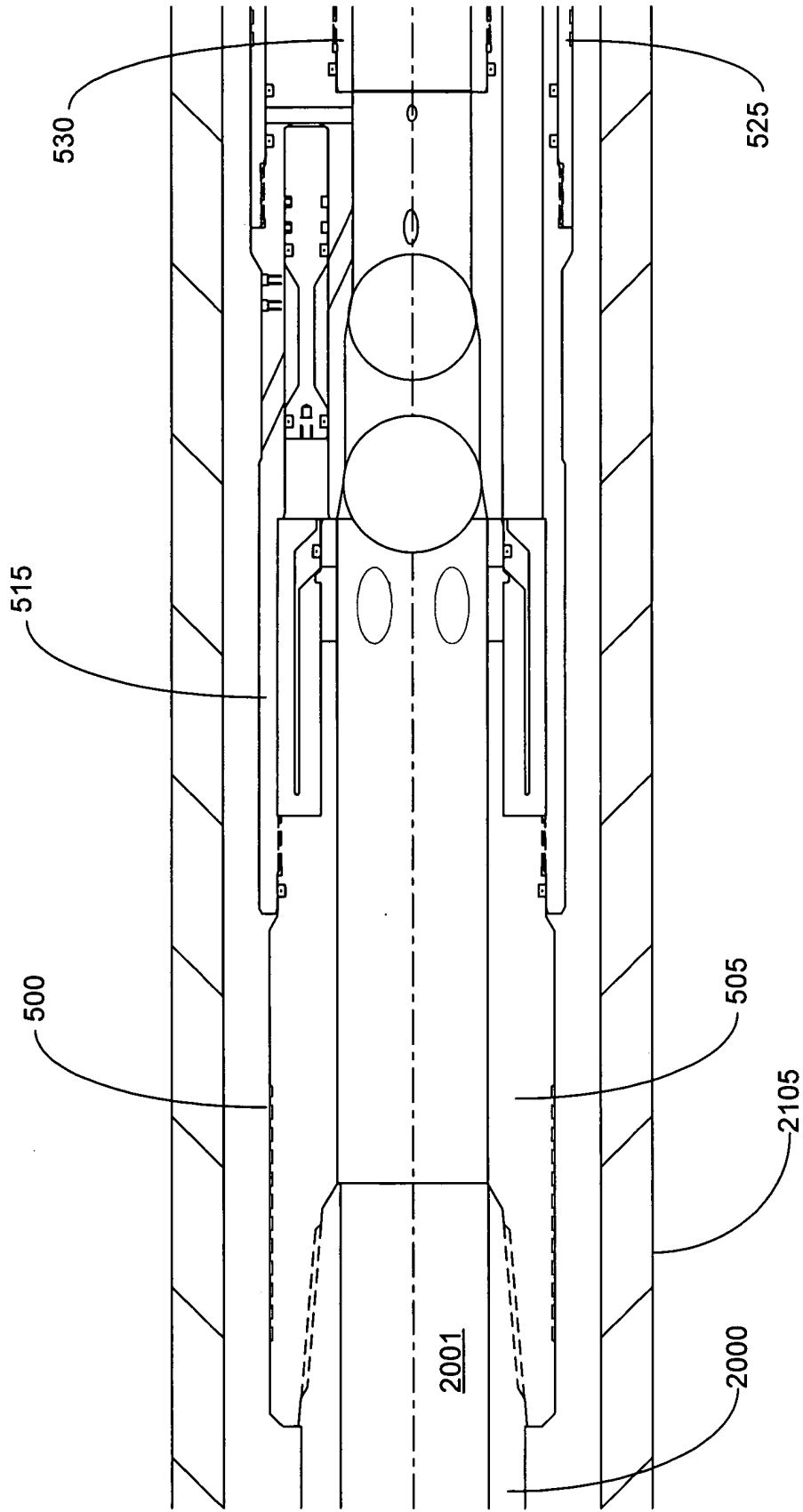


FIGURE 11A

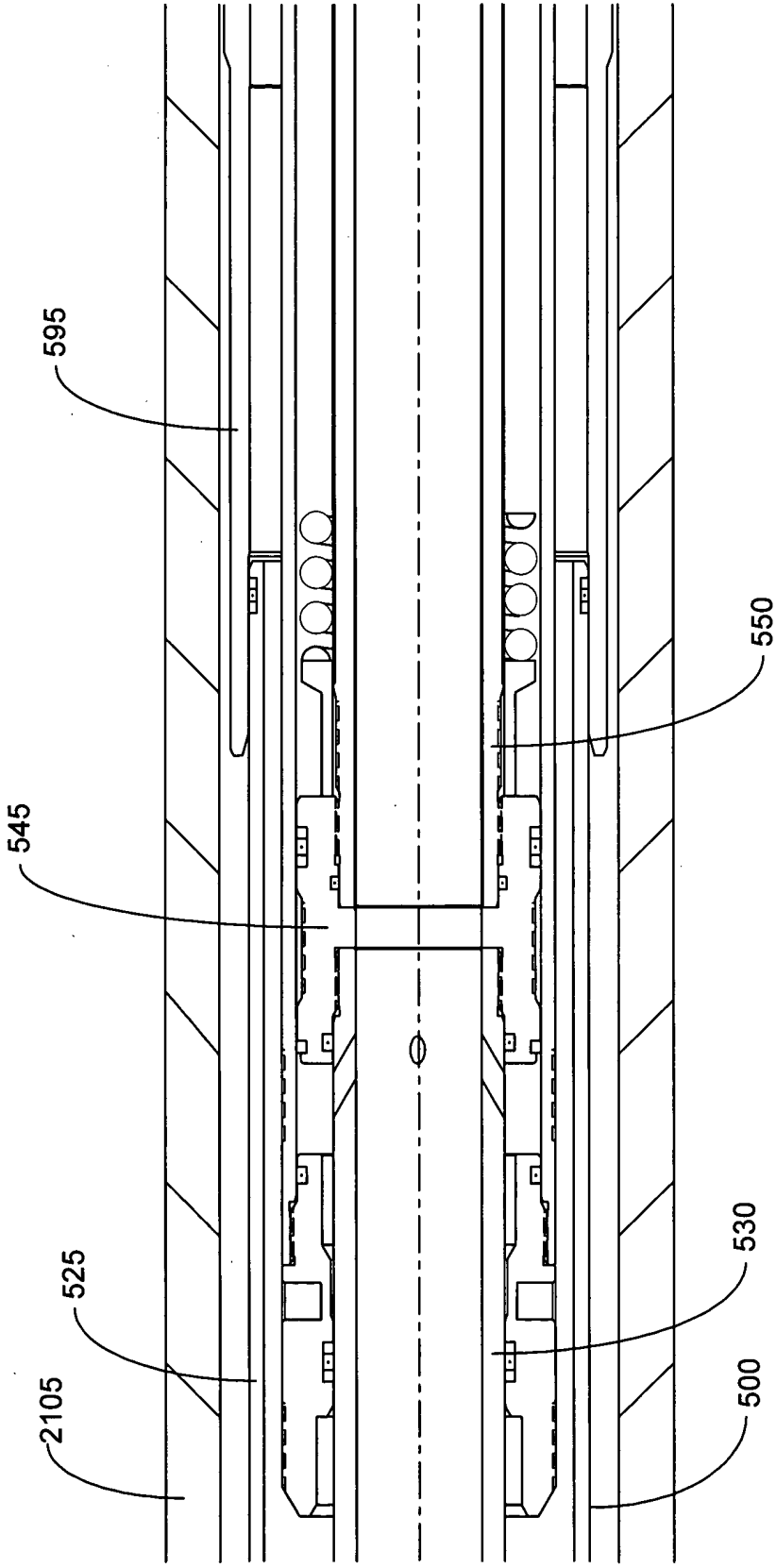


FIGURE 11B

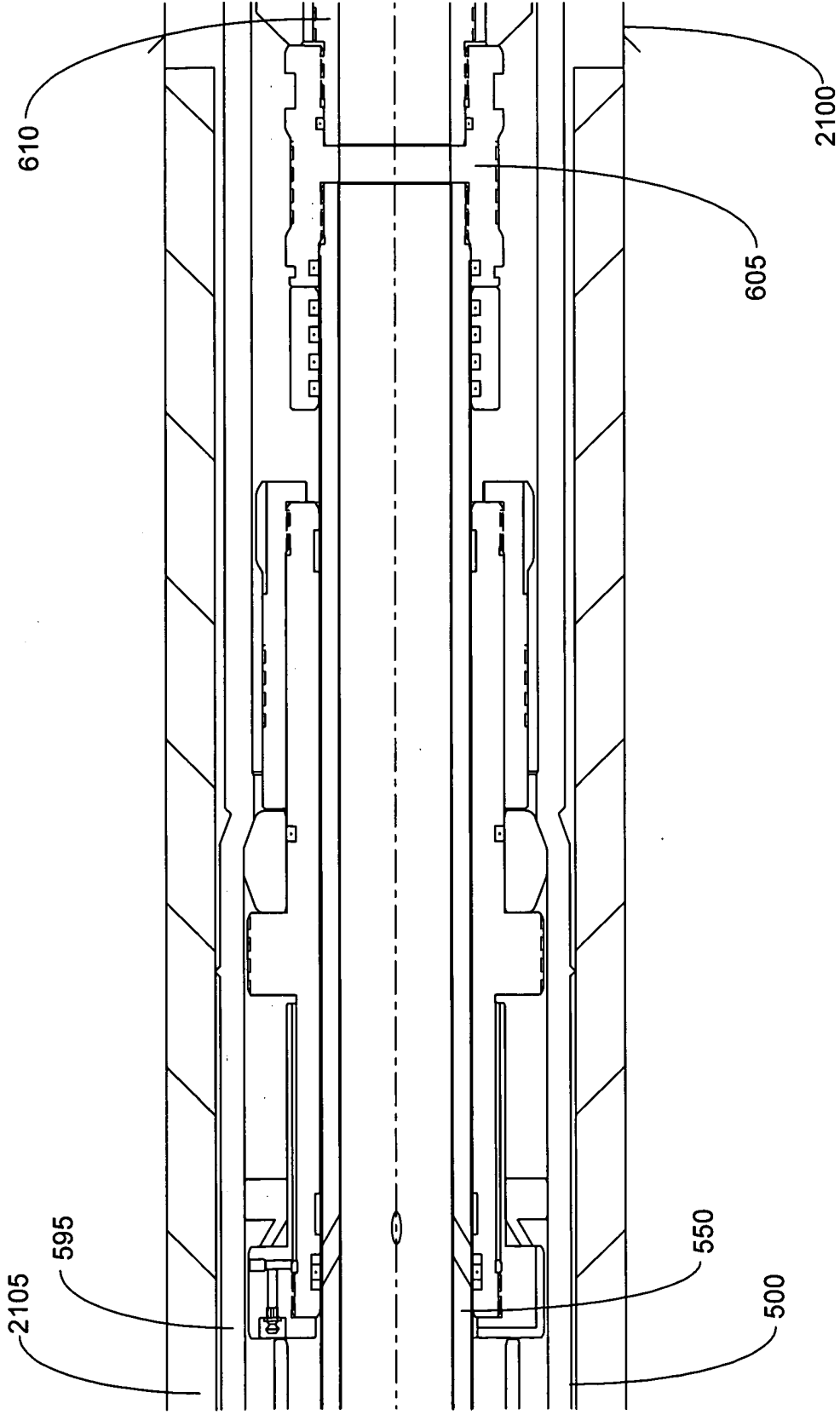


FIGURE 11C

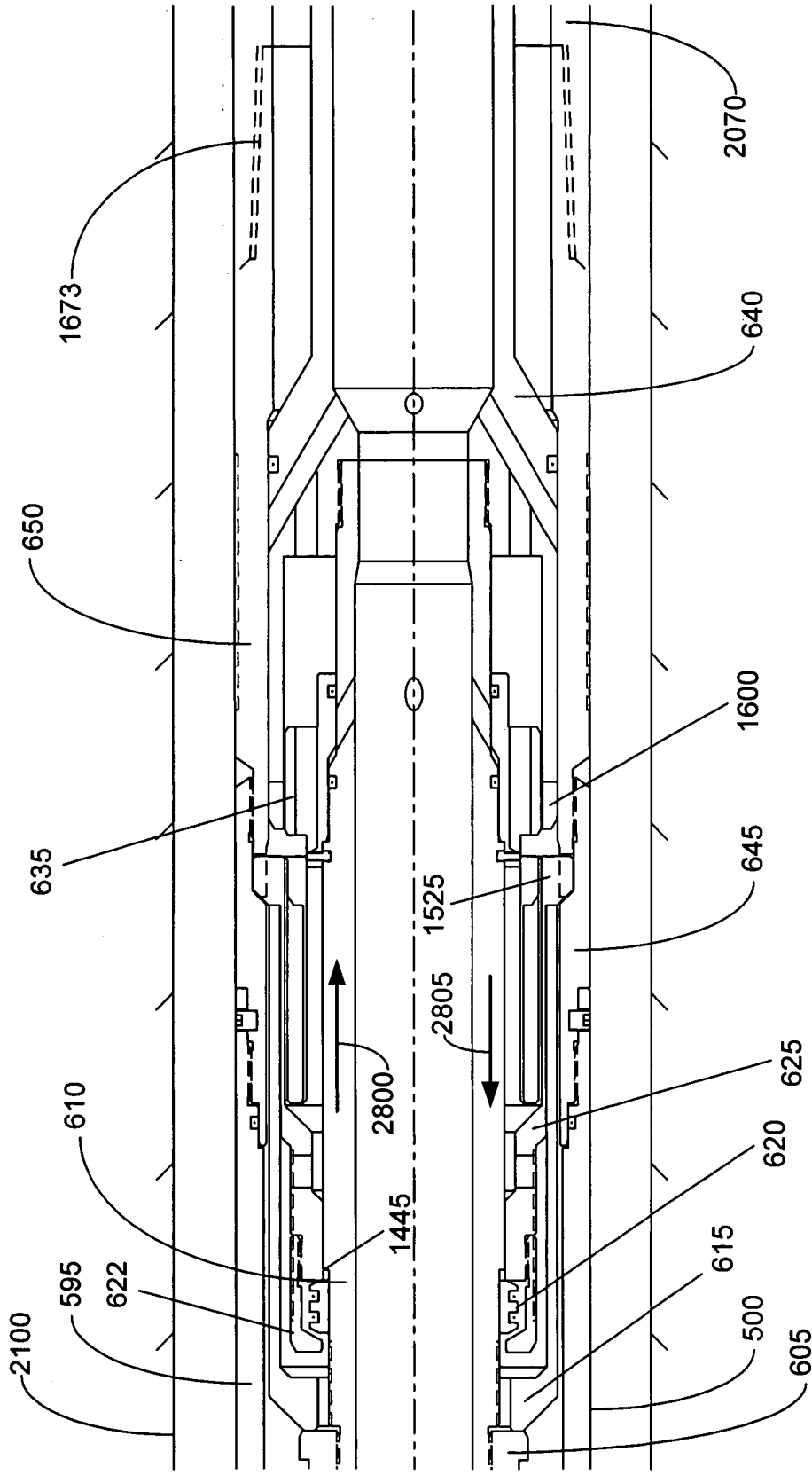


FIGURE 11D

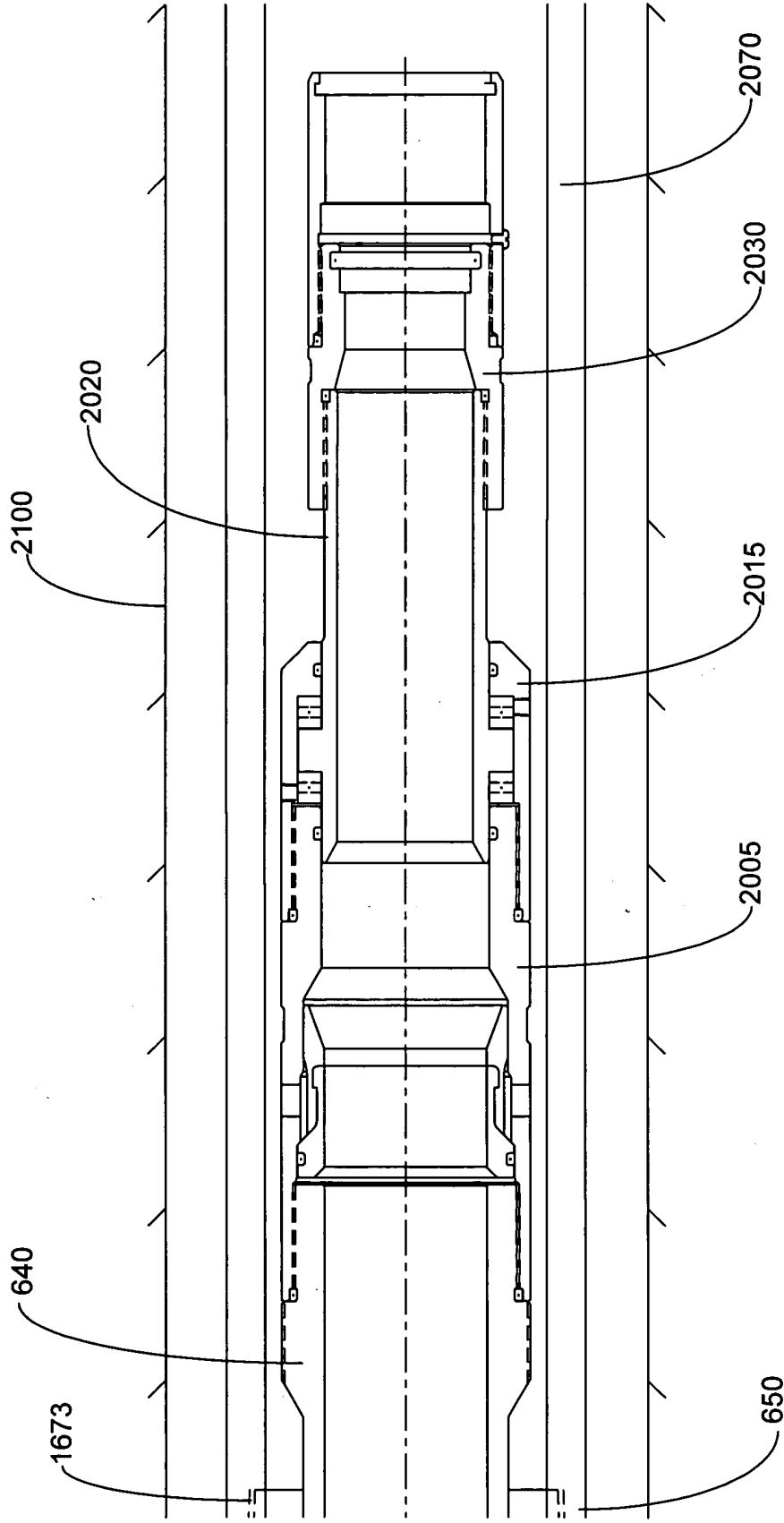


FIGURE 11E

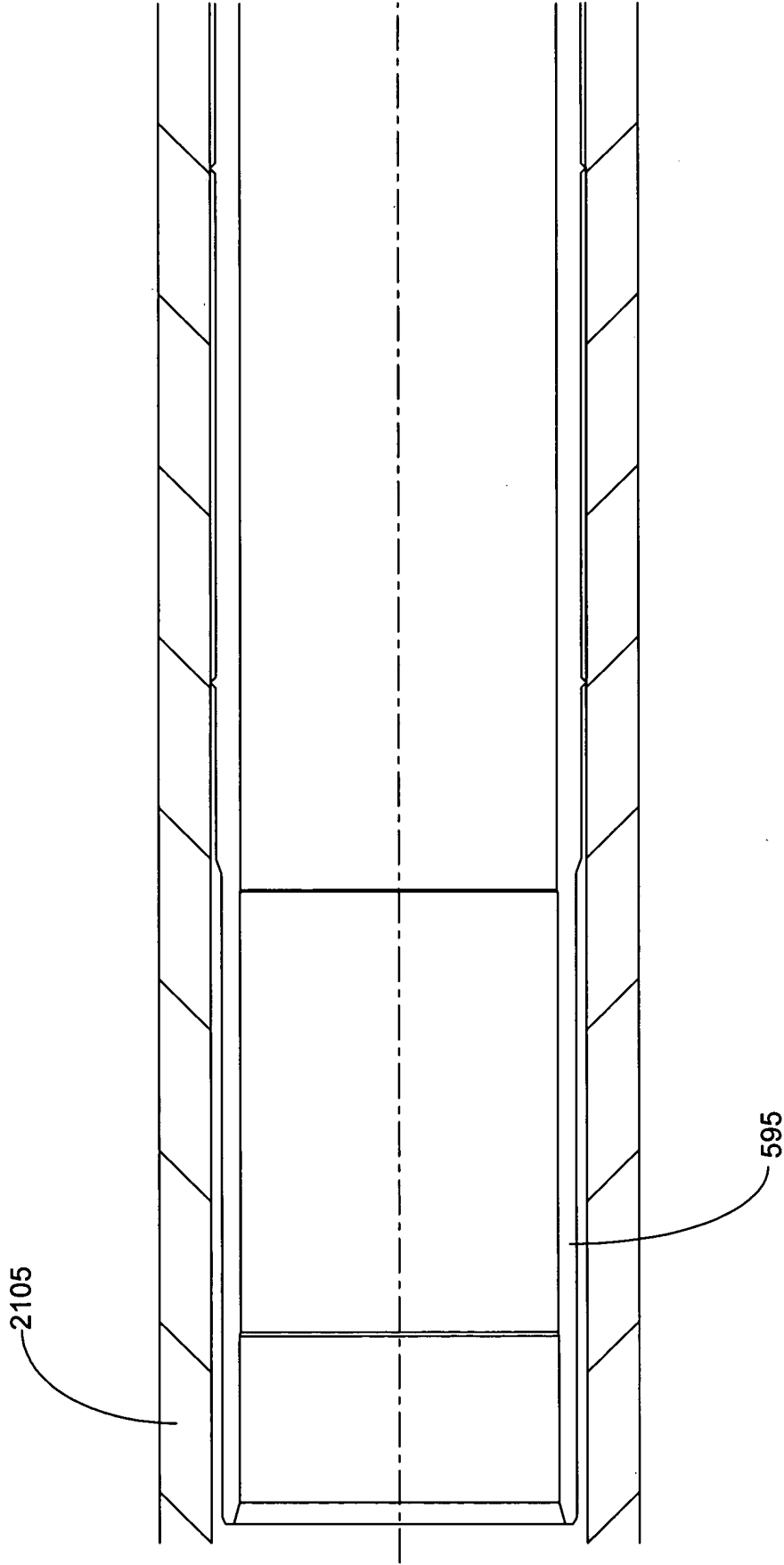


FIGURE 12A

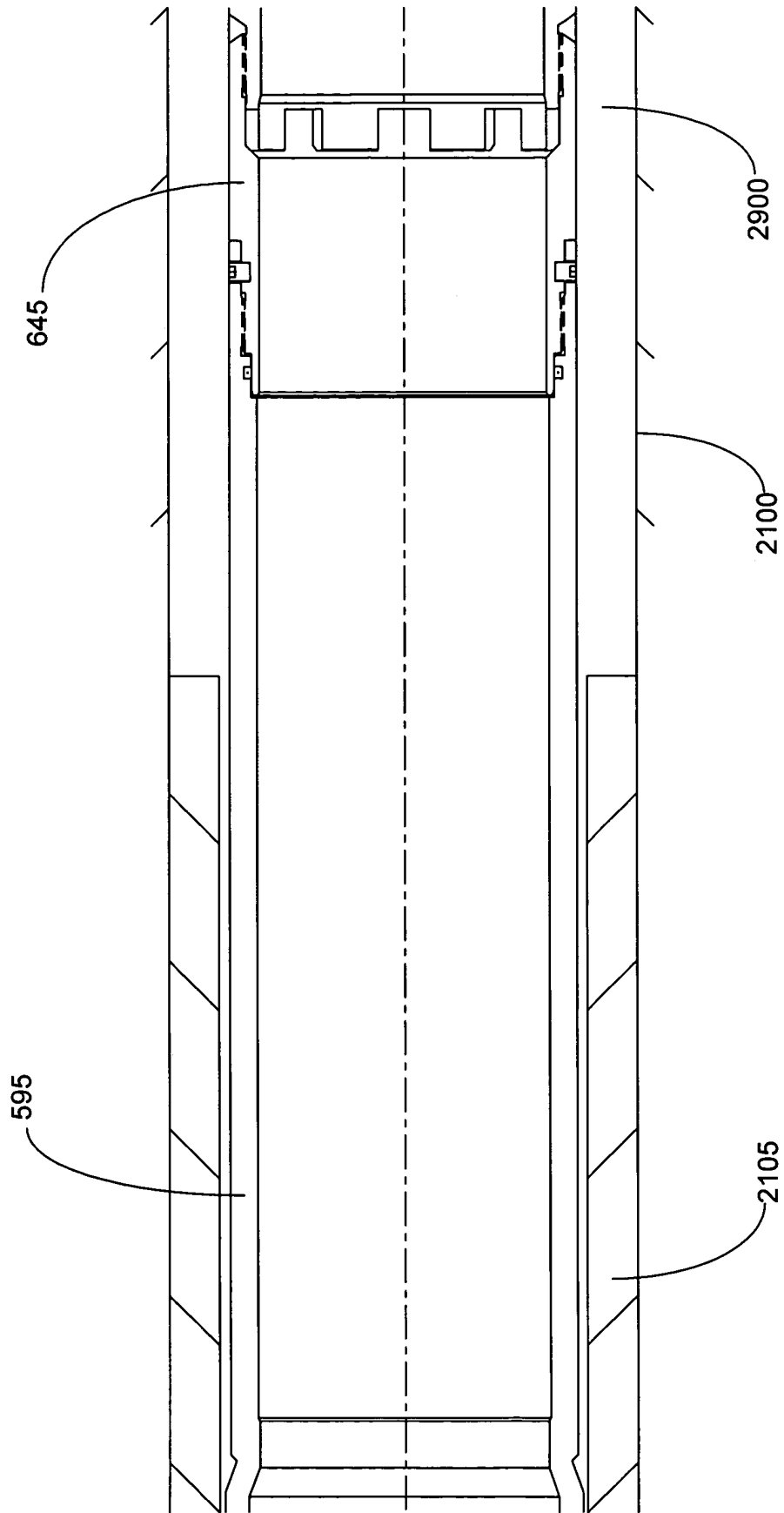


FIGURE 12B

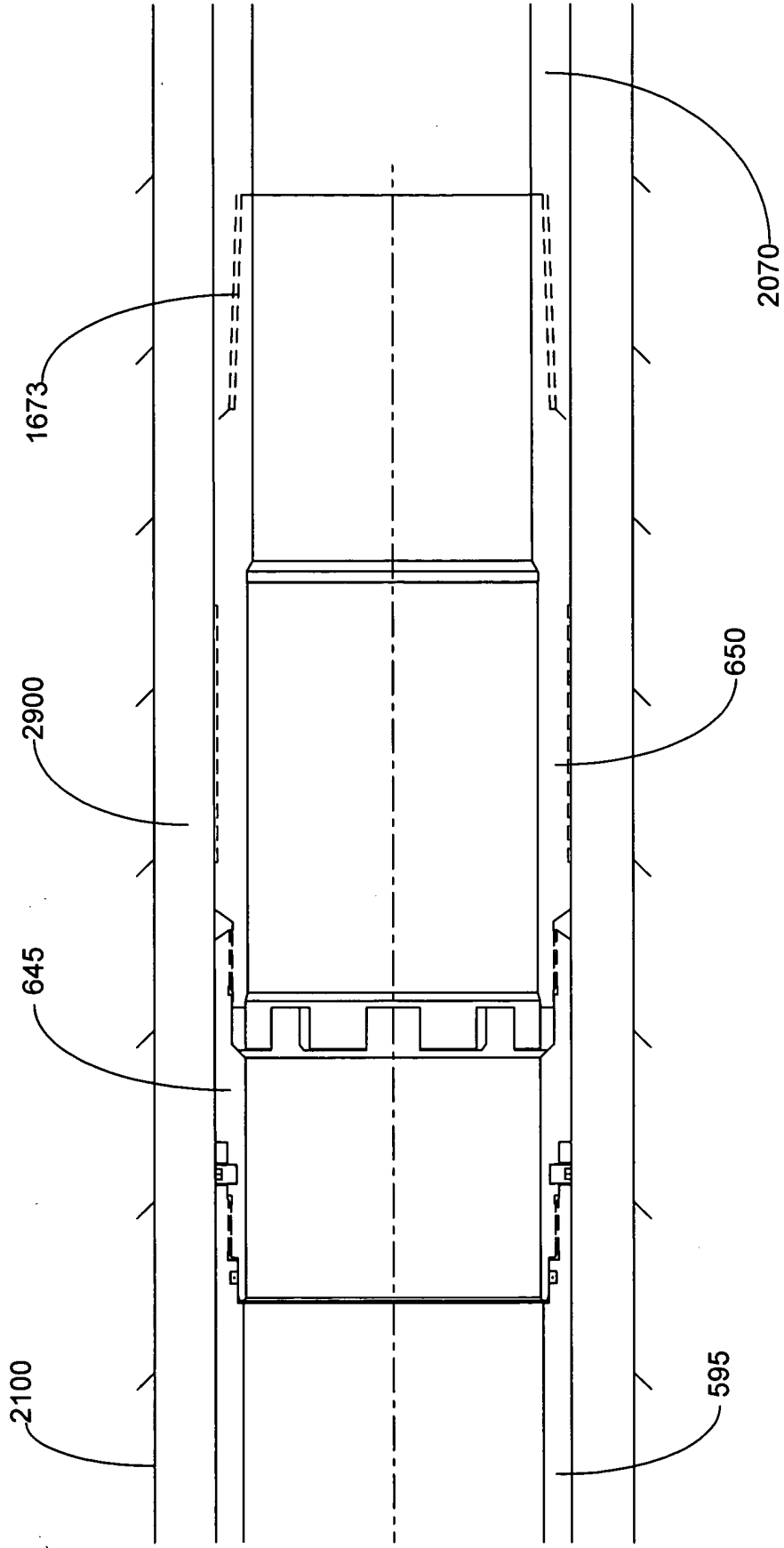


FIGURE 12C

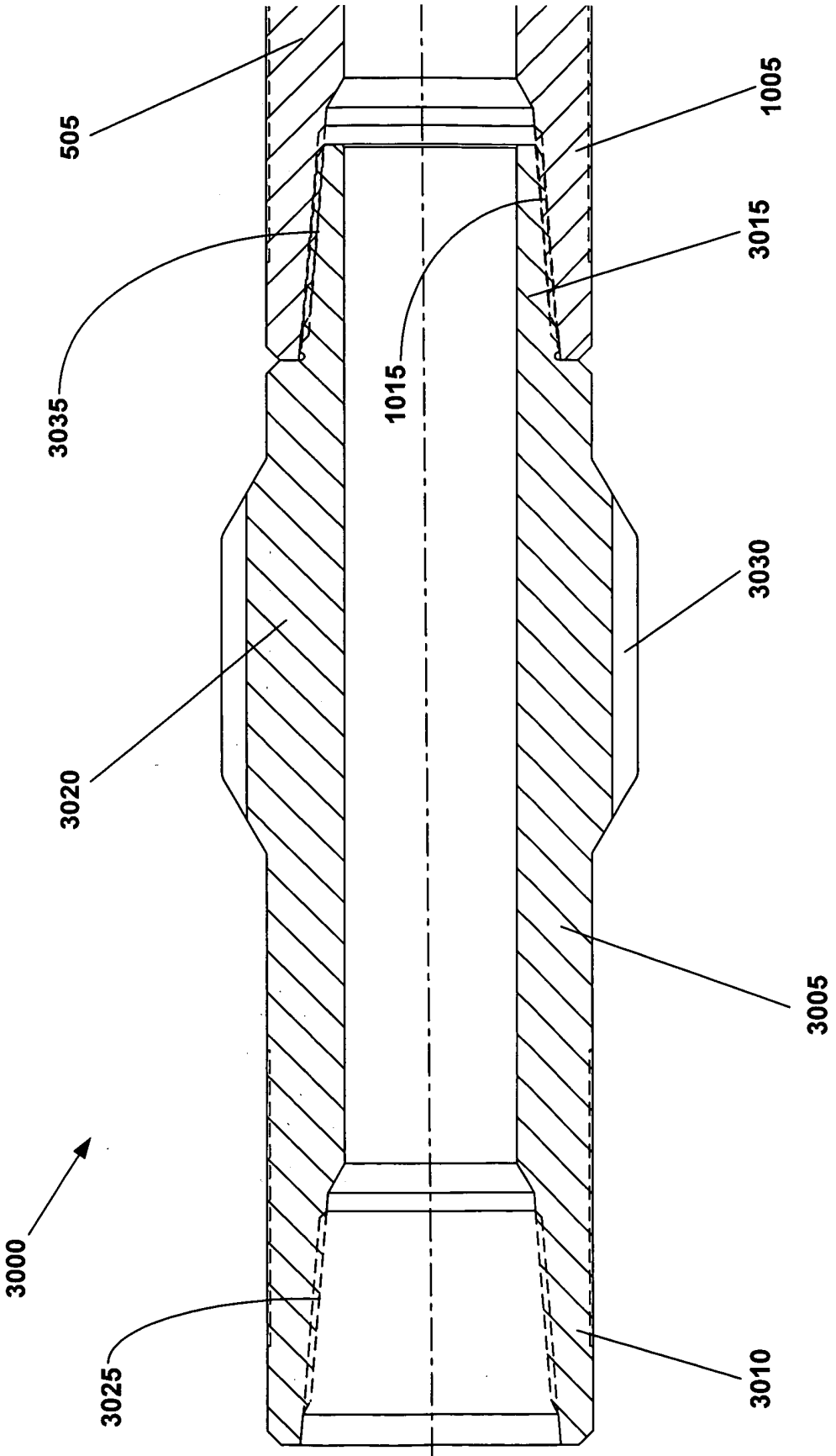


FIGURE 13A

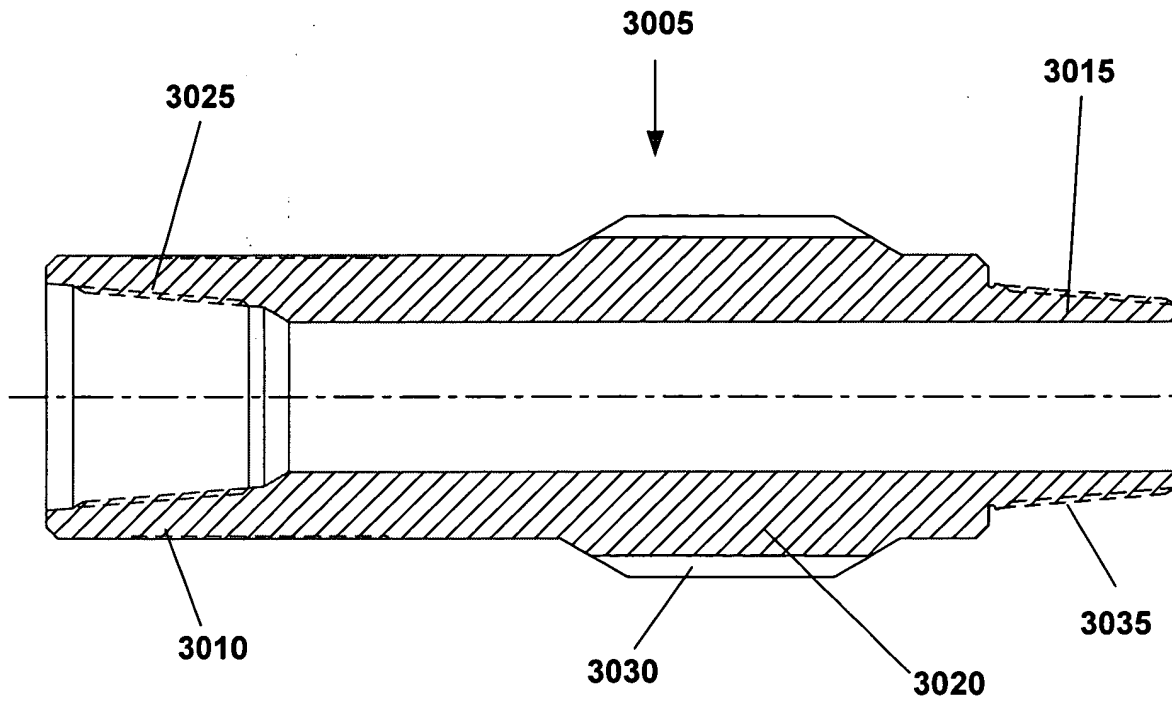


FIGURE 13B

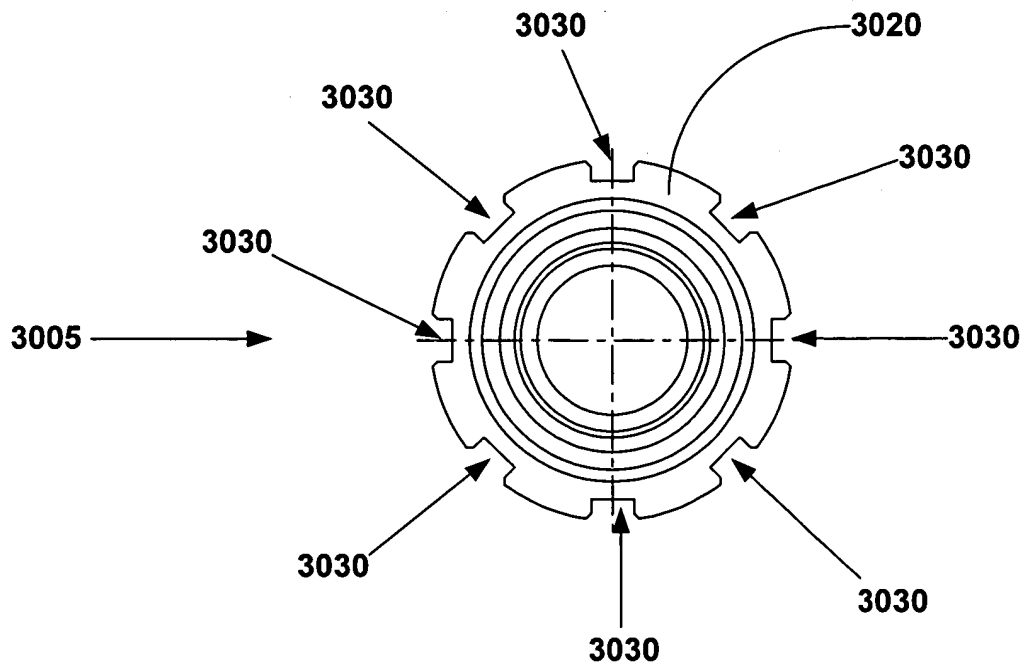


FIGURE 13C

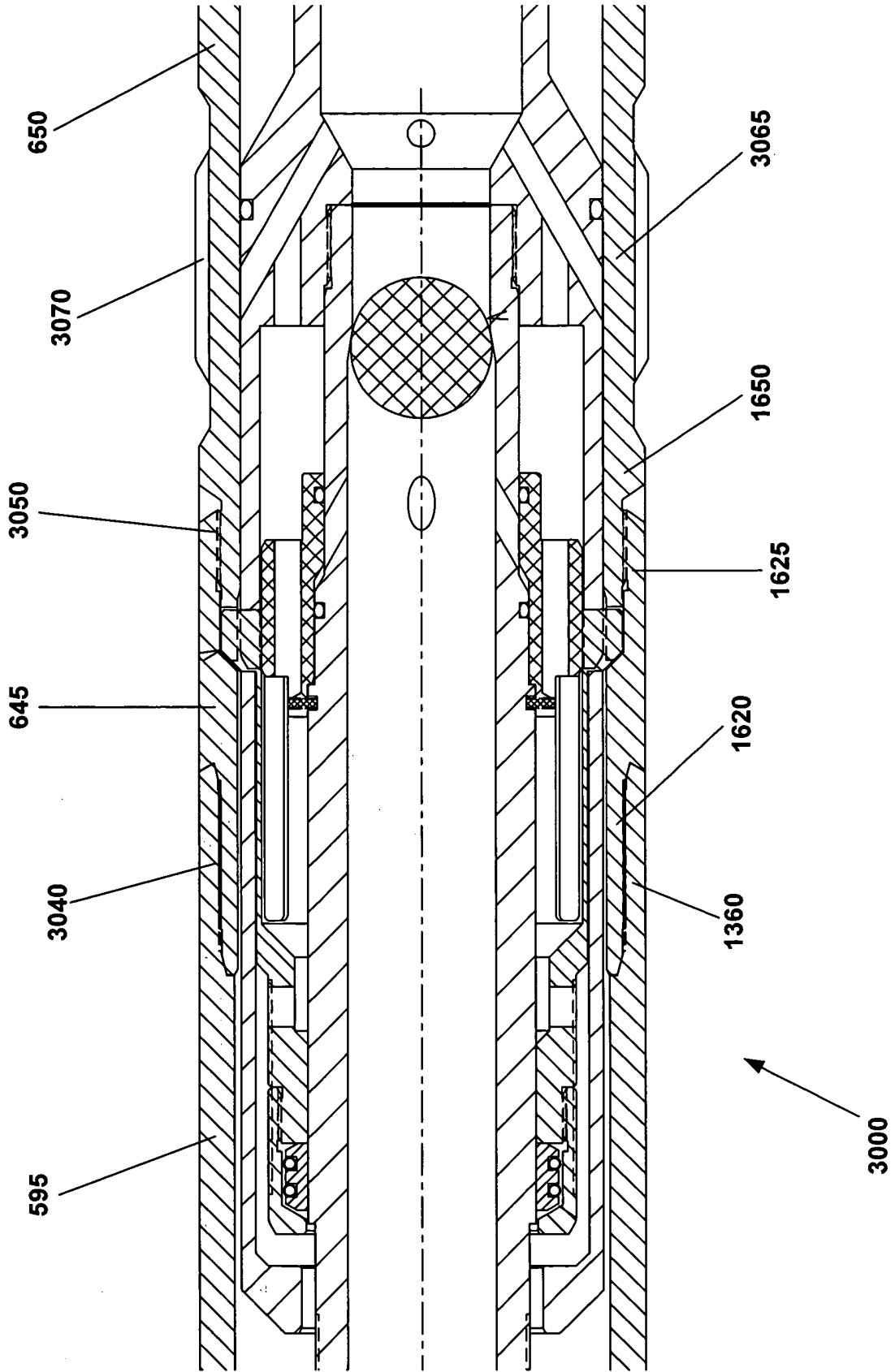


FIGURE 13D

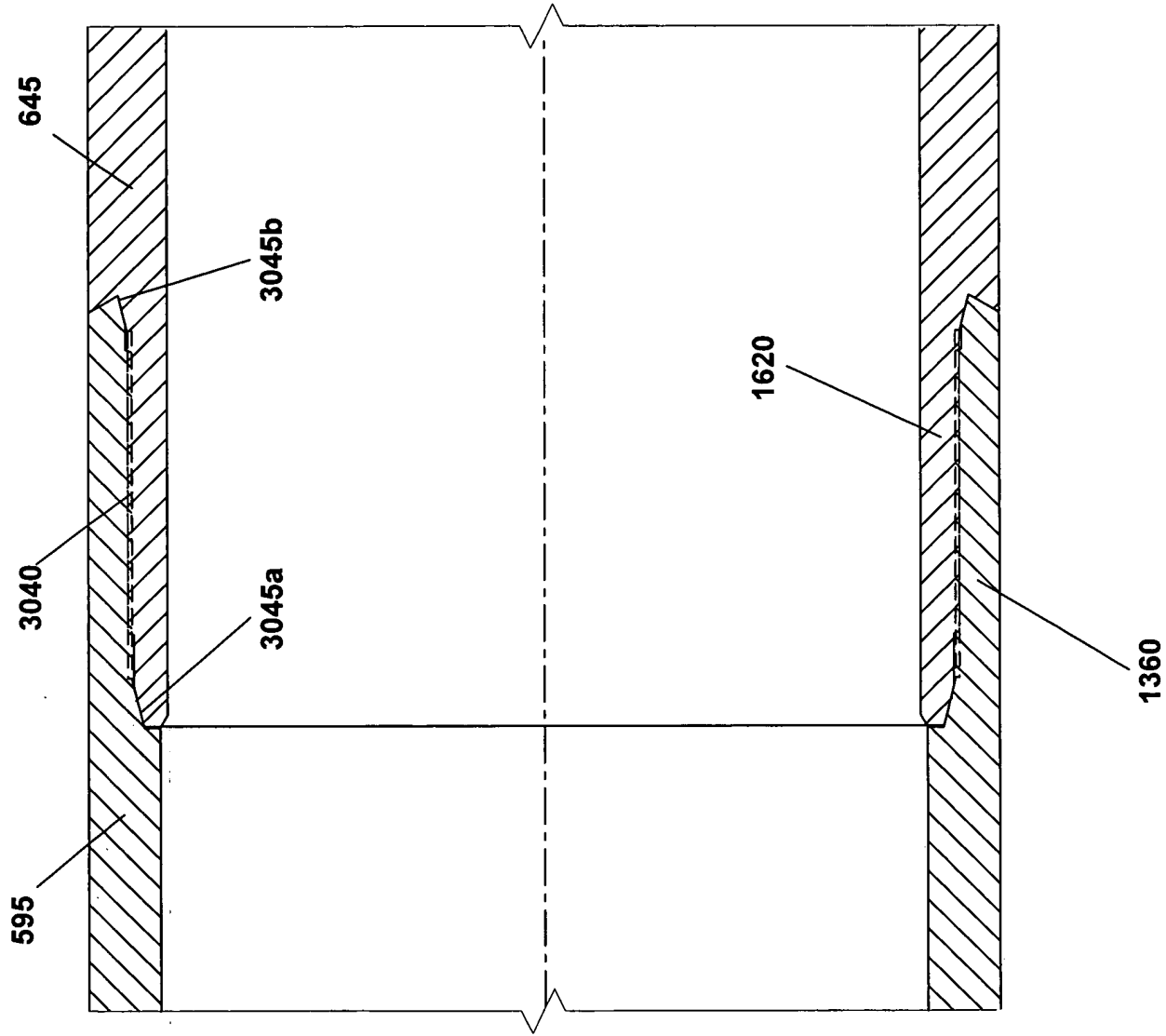


FIGURE 13E

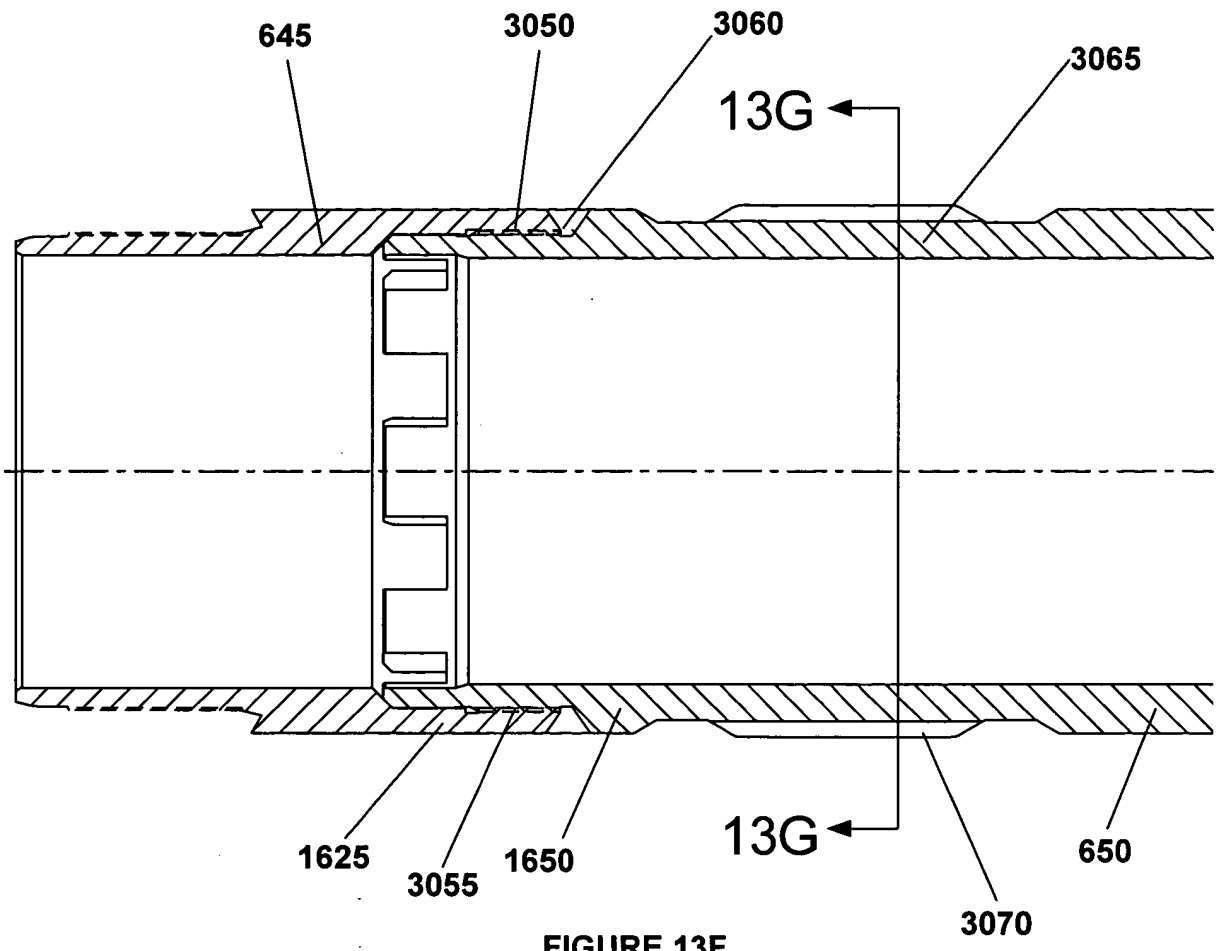


FIGURE 13F

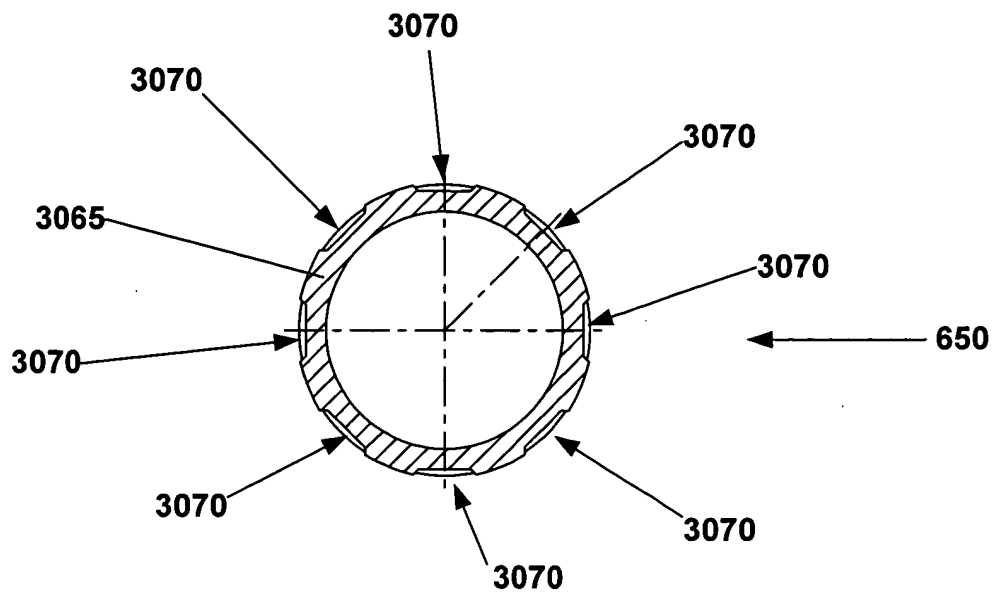


FIGURE 13G

311221.1/page 79 of 79